

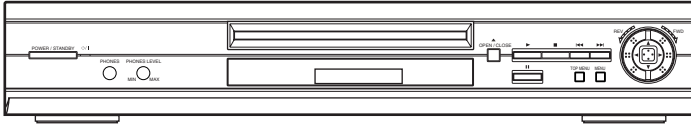
HITACHI

SERVICE MANUAL

TK

No. 9205E

DV-P725U



SPECIFICATIONS AND PARTS ARE SUBJECT TO CHANGE FOR IMPROVEMENT

DVD PLAYER

April

2002

Digital Media Division, Tokai

CONTENTS

CHAPTER 1	GENERAL INFORMATION
------------------	----------------------------

SPECIFICATIONS	1-1-1
COMPARISON OF MODELS	1-2-1
LASER BEAM SAFETY PRECAUTIONS	1-3-1
IMPORTANT SAFETY PRECAUTIONS	1-4-1
Product Safety Notice	1-4-1
Precautions during Servicing	1-4-1
Safety Check after Servicing	1-4-2
STANDARD NOTES FOR SERVICING	1-5-1
Circuit Board Indications	1-5-1
Instructions for Connectors	1-5-1
How to Remove/Install Flat Pack-IC	1-5-1
Instructions for Handling Semi-conductors	1-5-3
OPERATING CONTROLS AND FUNCTIONS	1-6-1
FIRMWARE RENEWAL MODE	1-7-1
TROUBLESHOOTING	1-8-1

CHAPTER 2	DISASSEMBLY
------------------	--------------------

CABINET DISASSEMBLY INSTRUCTIONS	2-1-1
1. Disassembly Flowchart	2-1-1
2. Disassembly Method	2-1-1

CHAPTER 3	EXPLODED VIEWS AND PARTS LIST
------------------	--------------------------------------

EXPLODED VIEWS	3-1-1
Cabinet	3-1-1
REPLACEMENT PARTS LIST	3-2-1
Mechanical Parts List	3-2-1
Electrical Parts List	3-2-2

CHAPTER 4	SCHEMATIC AND BLOCK DIAGRAMS/ CBA'S
------------------	--

SCHEMATIC DIAGRAMS/CBA'S AND TEST POINTS	4-1-1
Wiring Diagram	4-1-3
DVD Main 1/4 Schematic Diagram	4-1-4
DVD Main 2/4 Schematic Diagram	4-1-5
DVD Main 3/4 Schematic Diagram	4-1-6
DVD Main 4/4 Schematic Diagram	4-1-7
AV 1/3 Schematic Diagram	4-1-8
AV 2/3 & Headphone Schematic Diagram	4-1-9
Waveforms	4-1-10
AV 3/3, Function & Switch Schematic Diagram	4-1-11
Progressive Schematic Diagram	4-1-12
Function CBA Top View	4-1-13
Function CBA Bottom View	4-1-13
Headphone CBA Top View	4-1-13
Headphone CBA Bottom View	4-1-13
AV CBA Top View	4-1-14
AV CBA Bottom View	4-1-15
Switch CBA Top View	4-1-15
Switch CBA Bottom View	4-1-15
BLOCK DIAGRAMS	4-2-1
System Control Block Diagram	4-2-1
RF Signal Process/Servo Block Diagram	4-2-2
DVD Signal Process Block Diagram	4-2-3
Video Block Diagram	4-2-4
Progressive Block Diagram	4-2-5
Audio Block Diagram	4-2-6
Power Supply Block Diagram	4-2-7
SYSTEM CONTROL TIMING CHARTS	4-3-1
IC PIN FUNCTION DESCRIPTIONS	4-4-1
LEAD IDENTIFICATIONS	4-5-1

SPECIFICATIONS

Product type :	DVD Player
Discs :	DVD video Audio CD Video CD
Output signal format :	NTSC color
Frequency response	
DVD (linear sound) :	20 Hz to 22 kHz (sample rate: 48 kHz) 20 Hz to 44 kHz (sample rate: 96 kHz)
CD :	20 Hz to 20 kHz
Signal-to-noise ratio (S/N ratio)	
CD :	110 dB (EIAJ)
Dynamic range	
DVD (linear sound) :	95 dB
CD :	94 dB (EIAJ)
Total distortion factor	
CD :	0.005% (EIAJ)
Wow and flutter :	Below the measurement limitation (+/-0.001% W PEAK) (EIAJ)
Connections	
S-Video output :	Mini DIN 4-pin jack (75 ohm)
Video output :	One RCA connector, 1 V _{pp} (75 ohm)
Coaxial digital audio output :	One pin jack, 500mV _{pp} (75 ohm)
Analog audio output :	Two RCA connectors (one left channel, one right channel) 2 V _{rms} (47 k ohm)
Component video output :	One pin jack (Y), 1 V _{pp} (75 ohm) Two pin jacks (C _B /P _B)/(C _R /P _R), 700mV _{pp} (75 ohm)
Optical digital audio output :	Optical connector
Power source :	120 V AC +/- 10%, 60 Hz +/- 0.5%
Power consumption :	17 W (standby: 2.2W)
Operating temperature :	5°C to 40°C
Dimensions :	W 17-1/8" (435mm) H 2-15/16" (75mm) D 8-1/2" (216mm)
Weight :	4.63 lbs (2.2kg)

- Designs and specifications are subject to change without notice.

Manufactured under license from Dolby Laboratories. "Dolby" and the double-D symbol are trademarks of Dolby Laboratories. Confidential Unpublished Works.
(©1992-1997 Dolby Laboratories, Inc. All rights reserved.)

"DTS" and "DTS Digital Out" are trademarks of Digital Theater Systems Inc.

COMPARISON OF MODELS

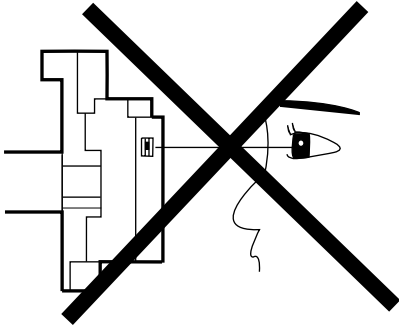
←: Same as on left

	DV-P725U	DV-P315U/P313U
Appearance		
Dimensional	435(W) x 75(H) x 216(D) mm	430(W) x 79(H) x 240(D) mm
Weight	2.1kg	4.2kg
Tray Panel	Silver	Black
Color Front / Button	Dark Silver/Silver	Black/Black
Hot Stamp	O	---
Ultra Vision Badge	O	---
General		
Drive Speed	1x	←
Laser	2	1
DVD/VCD/SVCD/CD-DA (Video Format)	O / O / --- / O	O / O / O / O
CD-R/CD-RW/DVD-R (VR Format)	O / O / O	--- / --- / ---
DVD-RAM	---	←
MP3	O	---
OSD languages	3 (English, French, Spanish)	6 (English, French, Spanish, Italian, German, Dutch)
Jog Shuttle on Front	Only switch Shuttle	---
Headphone Jack / Volume	O / O	--- / ---
Video		
PAL Disc NTSC Out	---	←
Video Out Mode NTSC/PAL/PAL60	O / --- / ---	←
S-Video / Component / Composite	O / O / O	←
Video D/A Converter	10bit	←
Black Level Select	O	←
Picture Control	---	←
Progressive Out	O	---
Audio		
Audio D/A Converter	192kHz / 24bit	96kHz / 24bit
Digital Audio Out Optical / Coaxial	O / O	←
Dolby Digital 5.1 ch Decode	---	←
DTS Digital Out	O	←
Virtual Surround	O	←
Dynamic Range Compression (Dolby Digital)	O	←
DVD Audio	---	←
Power on sound	---	←
Trick Play		
Search Speed (DVD: 2, 8, 30, 60 / VCD: 2, 8, 30 / CD: 16)	2 to 60 (FORWARD/REWIND)	2 to 128 (FORWARD/REWIND)
Slow Speed	1/16, 1/8, 1/2 (FORWARD only)	1/8, 1/4, 1/2 (FORWARD only)
IP Search (Smooth 2x Play)	O	←
2x Play with Audio	---	←
Step Forward / Reverse	O / ---	←
Still Picture Select (Frame/Field)	Auto Only	O

Features		
Disc Navigation	---	O (DV-P315U) --- (DV-P313U)
DVD Zoom x2 / x4 / x16	O / O / ---	←
Program and Random Play of DVD / VCD	---	O / O
A-B Repeat	O	←
Repeat	O	←
Last Play	O	←
Closed Caption for NTSC DVD	O	←
Front Panel Display Dimmer	O	←
Screen Saver	O	←
Auto Power Off	O	←
Remote Controller		
Jog Shuttle on Remote	---	←
TV Control	O	---
Accessory		
Remote Controller	O	←
Battery	O	←
AV Cable	O	←
S Cable	---	←
AC Socket	---	←
Warranty Card	O	←

LASER BEAM SAFETY PRECAUTIONS

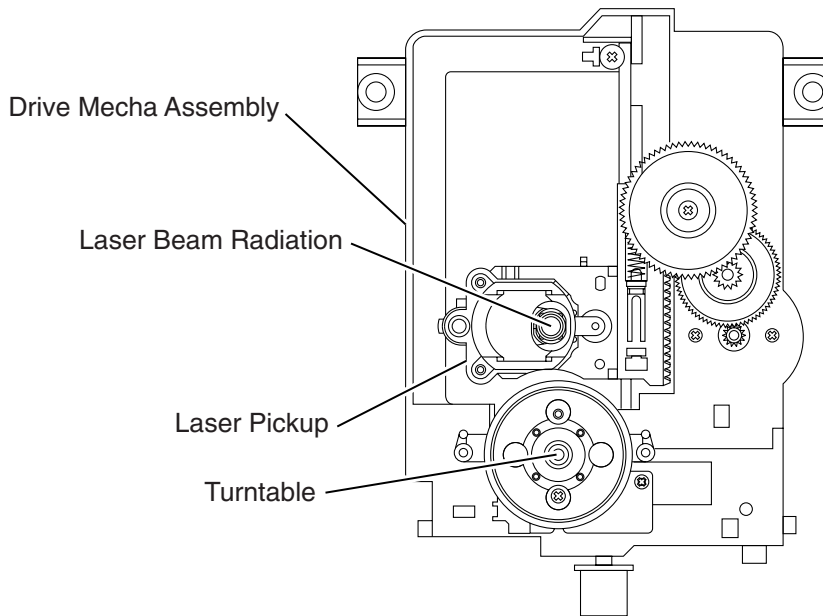
This DVD player uses a pickup that emits a laser beam.



Do not look directly at the laser beam coming from the pickup or allow it to strike against your skin.

The laser beam is emitted from the location shown in the figure. When checking the laser diode, be sure to keep your eyes at least 30cm away from the pickup lens when the diode is turned on. Do not look directly at the laser beam.

Caution: Use of controls and adjustments, or doing procedures other than those specified herein, may result in hazardous radiation exposure.



CAUTION
LASER RADIATION
WHEN OPEN. DO NOT
STARE INTO BEAM.

Location: Inside Top of DVD mechanism.

IMPORTANT SAFETY PRECAUTIONS

Product Safety Notice

Some electrical and mechanical parts have special safety-related characteristics which are often not evident from visual inspection, nor can the protection they give necessarily be obtained by replacing them with components rated for higher voltage, wattage, etc. Parts that have special safety characteristics are identified by a **▲** on schematics and in parts lists. Use of a substitute replacement that does not have the same safety characteristics as the recommended replacement part might create shock, fire, and/or other hazards. The Product's Safety is under review continuously and new instructions are issued whenever appropriate. Prior to shipment from the factory, our products are carefully inspected to confirm with the recognized product safety and electrical codes of the countries in which they are to be sold. However, in order to maintain such compliance, it is equally important to implement the following precautions when a set is being serviced.

Precautions during Servicing

- A.** Parts identified by the **▲** symbol are critical for safety. Replace only with part number specified.
- B.** In addition to safety, other parts and assemblies are specified for conformance with regulations applying to spurious radiation. These must also be replaced only with specified replacements.
Examples: RF converters, RF cables, noise blocking capacitors, and noise blocking filters, etc.
- C.** Use specified internal wiring. Note especially:
 - 1) Wires covered with PVC tubing
 - 2) Double insulated wires
 - 3) High voltage leads
- D.** Use specified insulating materials for hazardous live parts. Note especially:
 - 1) Insulation tape
 - 2) PVC tubing
 - 3) Spacers
 - 4) Insulators for transistors
- E.** When replacing AC primary side components (transformers, power cord, etc.), wrap ends of wires securely about the terminals before soldering.
- F.** Observe that the wires do not contact heat producing parts (heatsinks, oxide metal film resistors, fusible resistors, etc.).
- G.** Check that replaced wires do not contact sharp edges or pointed parts.
- H.** When a power cord has been replaced, check that 5 - 6 kg of force in any direction will not loosen it.
- I.** Also check areas surrounding repaired locations.
- J.** Be careful that foreign objects (screws, solder droplets, etc.) do not remain inside the set.
- K.** Crimp type wire connector
The power transformer uses crimp type connectors which connect the power cord and the primary side of the transformer. When replacing the transformer, follow these steps carefully and precisely to prevent shock hazards.
Replacement procedure
 - 1) Remove the old connector by cutting the wires at a point close to the connector.
Important: Do not re-use a connector. (Discard it.)
 - 2) Strip about 15 mm of the insulation from the ends of the wires. If the wires are stranded, twist the strands to avoid frayed conductors.
 - 3) Align the lengths of the wires to be connected. Insert the wires fully into the connector.
 - 4) Use a crimping tool to crimp the metal sleeve at its center. Be sure to crimp fully to the complete closure of the tool.
- L.** When connecting or disconnecting the internal connectors, first, disconnect the AC plug from the AC outlet.

Safety Check after Servicing

Examine the area surrounding the repaired location for damage or deterioration. Observe that screws, parts, and wires have been returned to their original positions. Afterwards, do the following tests and confirm the specified values to verify compliance with safety standards.

1. Clearance Distance

When replacing primary circuit components, confirm specified clearance distance (d) and (d') between soldered terminals, and between terminals and surrounding metallic parts. (See Fig. 1)

Table 1 : Ratings for selected area

AC Line Voltage	Clearance Distance (d) (d')
120 V	$\geq 3.2\text{mm}$ (0.126 inches)

Note: This table is unofficial and for reference only.
Be sure to confirm the precise values.

2. Leakage Current Test

Confirm the specified (or lower) leakage current between B (earth ground, power cord plug prongs) and externally exposed accessible parts (RF terminals, antenna terminals, video and audio input and output terminals, microphone jacks, earphone jacks, etc.) is lower than or equal to the specified value in the table below.

Measuring Method (Power ON) :

Insert load Z between B (earth ground, power cord plug prongs) and exposed accessible parts. Use an AC voltmeter to measure across the terminals of load Z. See Fig. 2 and the following table.

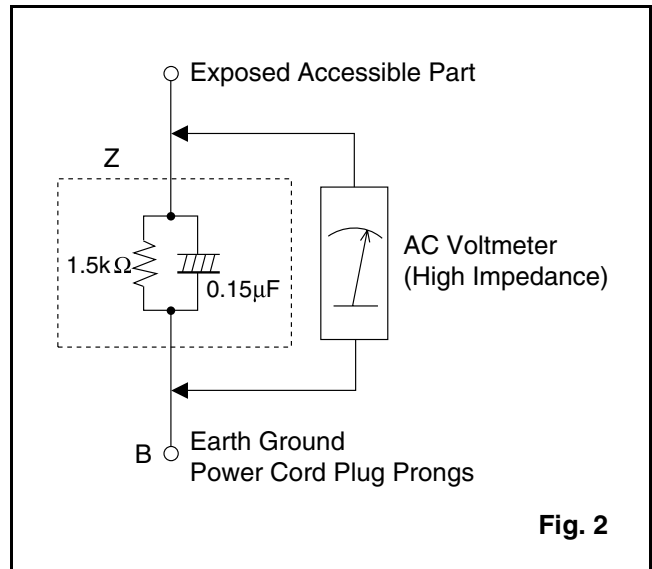
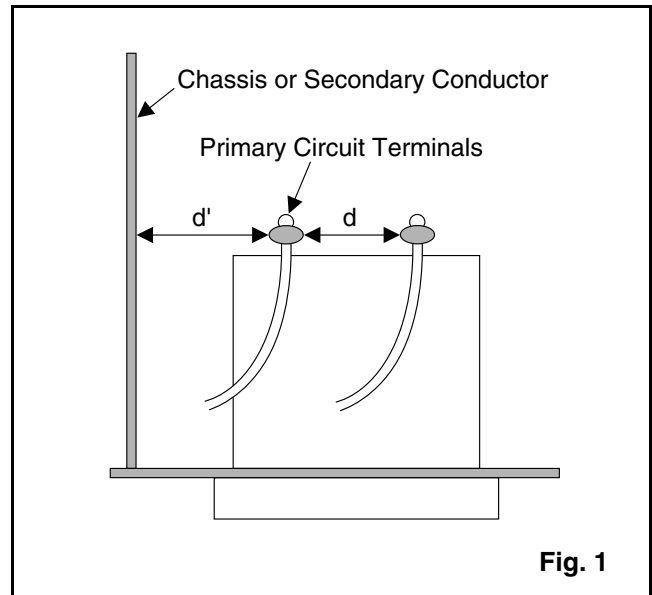


Table 2: Leakage current ratings for selected areas

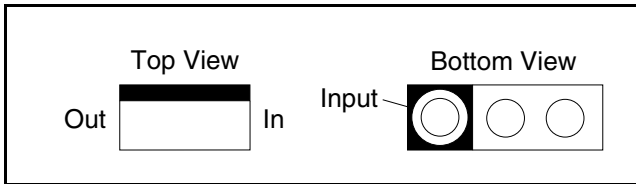
AC Line Voltage	Load Z	Leakage Current (i)	Earth Ground (B) to:
120 V	0.15 μF CAP. & 1.5k Ω RES. Connected in parallel	$i \leq 0.5\text{mA}$ Peak	Exposed accessible parts

Note: This table is unofficial and for reference only. Be sure to confirm the precise values.

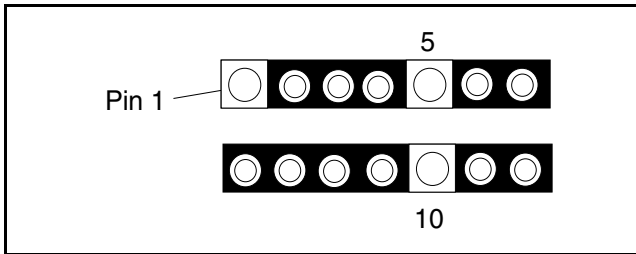
STANDARD NOTES FOR SERVICING

Circuit Board Indications

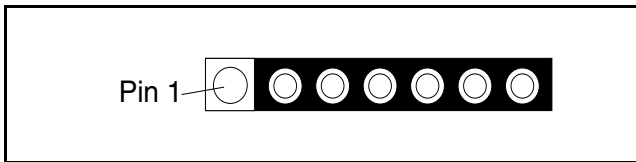
- a. The output pin of the 3 pin Regulator ICs is indicated as shown.



- b. For other ICs, pin 1 and every fifth pin are indicated as shown.

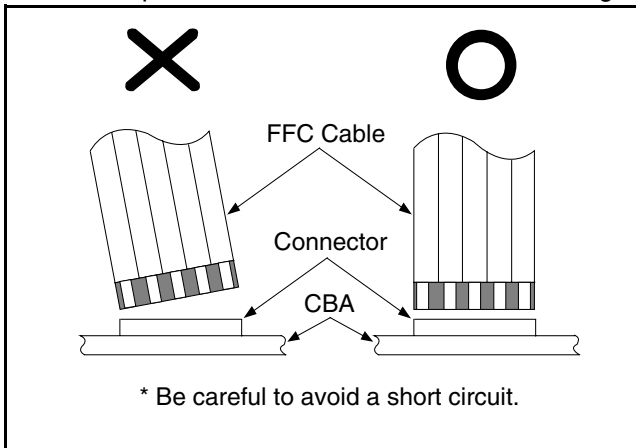


- c. The 1st pin of every male connector is indicated as shown.



Instructions for Connectors

1. When you connect or disconnect the FFC (Flexible Foil Connector) cable, be sure to first disconnect the AC cord.
2. FFC (Flexible Foil Connector) cable should be inserted parallel into the connector, not at an angle.

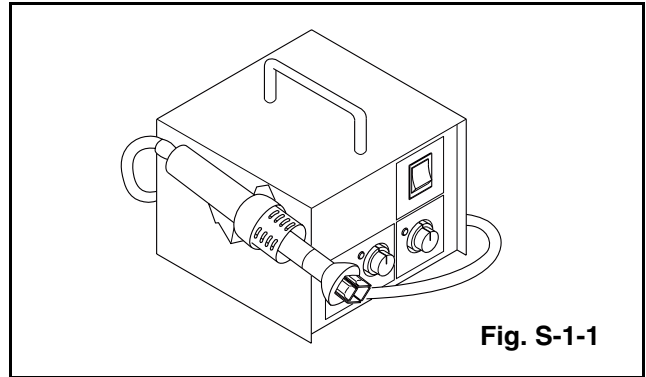


How to Remove / Install Flat Pack-IC

1. Removal

With Hot-Air Flat Pack-IC Desoldering Machine:

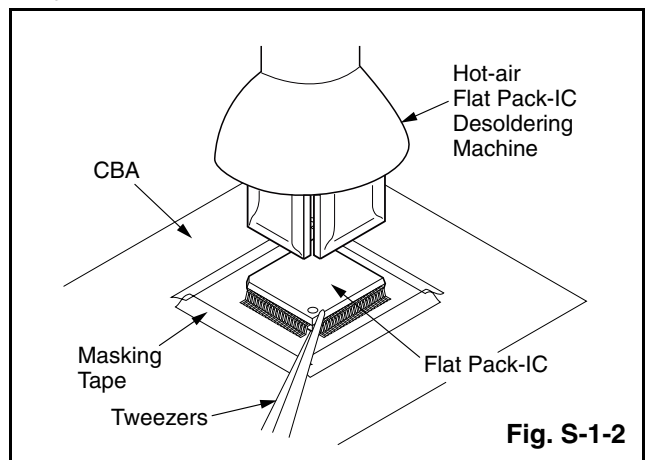
- (1) Prepare the hot-air flat pack-IC desoldering machine, then apply hot air to the Flat Pack-IC (about 5 to 6 seconds). (Fig. S-1-1)



- (2) Remove the flat pack-IC with tweezers while applying the hot air.
- (3) Bottom of the flat pack-IC is fixed with glue to the CBA; when removing entire flat pack-IC, first apply soldering iron to center of the flat pack-IC and heat up. Then remove (glue will be melted). (Fig. S-1-6)
- (1) Release the flat pack-IC from the CBA using tweezers. (Fig. S-1-6)

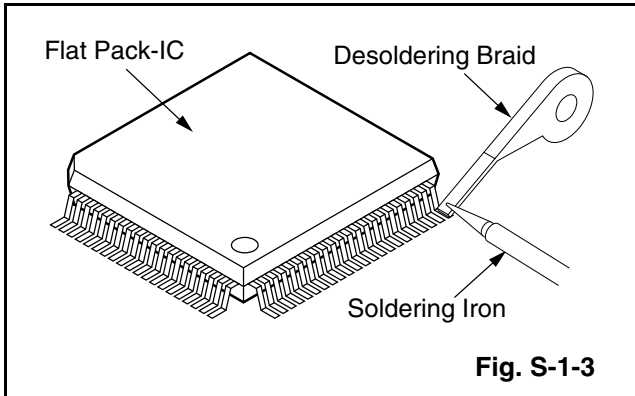
Caution:

1. Do not supply hot air to the chip parts around the flat pack-IC for over 6 seconds because damage to the chip parts may occur. Put masking tape around the flat pack-IC to protect other parts from damage. (Fig. S-1-2)
2. The flat pack-IC on the CBA is affixed with glue, so be careful not to break or damage the foil of each pin or the solder lands under the IC when removing it.

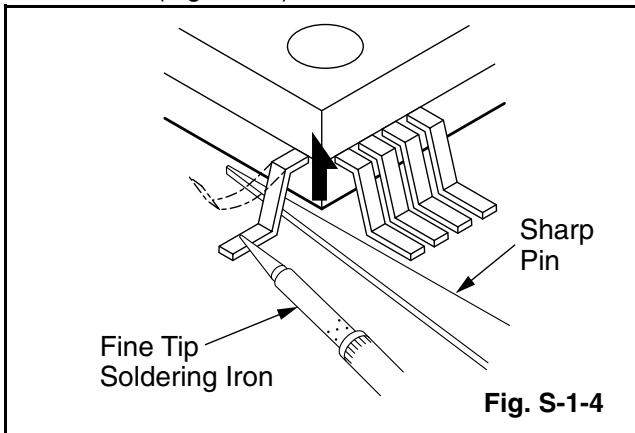


With Soldering Iron:

- (1) Using desoldering braid, remove the solder from all pins of the flat pack-IC. When you use solder flux which is applied to all pins of the flat pack-IC, you can remove it easily. (Fig. S-1-3)



- (2) Lift each lead of the flat pack-IC upward one by one, using a sharp pin or wire to which solder will not adhere (iron wire). When heating the pins, use a fine tip soldering iron or a hot air desoldering machine. (Fig. S-1-4)



- (3) Bottom of the flat pack-IC is fixed with glue to the CBA; when removing entire flat pack-IC, first apply soldering iron to center of the flat pack-IC and heat up. Then remove (glue will be melted). (Fig. S-1-6)

- (4) Release the flat pack-IC from the CBA using tweezers. (Fig. S-1-6)

With Iron Wire:

- (1) Using desoldering braid, remove the solder from all pins of the flat pack-IC. When you use solder flux which is applied to all pins of the flat pack-IC, you can remove it easily. (Fig. S-1-3)

- (2) Affix the wire to a workbench or solid mounting point, as shown in Fig. S-1-5.

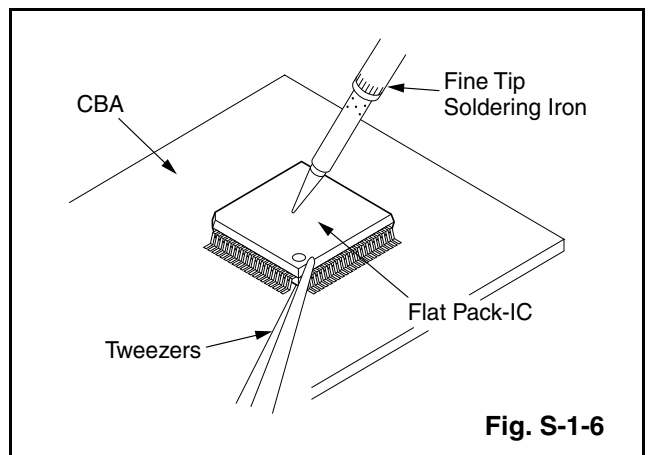
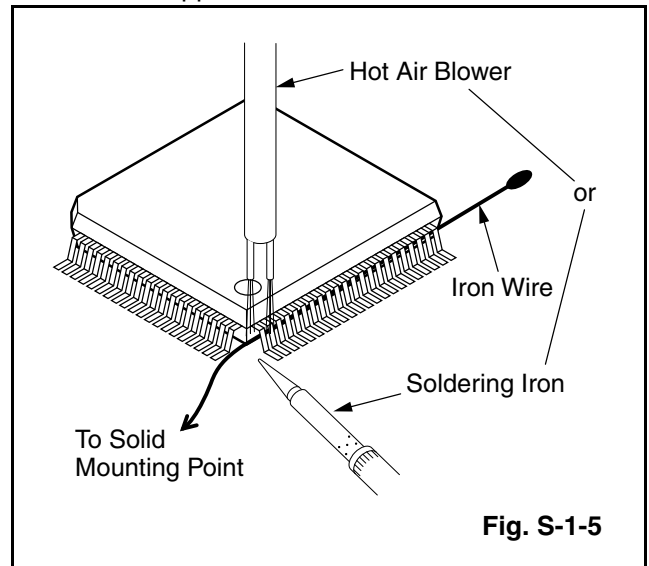
- (3) While heating the pins using a fine tip soldering iron or hot air blower, pull up the wire as the solder melts so as to lift the IC leads from the CBA contact pads as shown in Fig. S-1-5

- (4) Bottom of the flat pack-IC is fixed with glue to the CBA; when removing entire flat pack-IC, first apply soldering iron to center of the flat pack-IC and heat up. Then remove (glue will be melted). (Fig. S-1-6)

- (5) Release the flat pack-IC from the CBA using tweezers. (Fig. S-1-6)

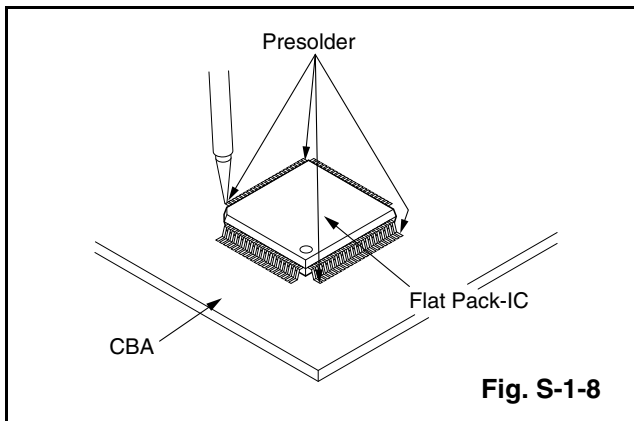
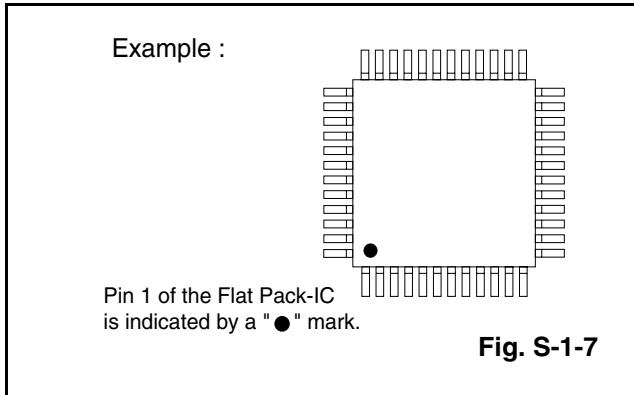
Note:

When using a soldering iron, care must be taken to ensure that the flat pack-IC is not being held by glue. When the flat pack-IC is removed from the CBA, handle it gently because it may be damaged if force is applied.



2. Installation

- (1) Using desoldering braid, remove the solder from the foil of each pin of the flat pack-IC on the CBA so you can install a replacement flat pack-IC more easily.
- (2) The "●" mark on the flat pack-IC indicates pin 1. (See Fig. S-1-7.) Be sure this mark matches the 1 on the PCB when positioning for installation. Then presolder the four corners of the flat pack-IC. (See Fig. S-1-8.)
- (3) Solder all pins of the flat pack-IC. Be sure that none of the pins have solder bridges.



Instructions for Handling Semi-conductors

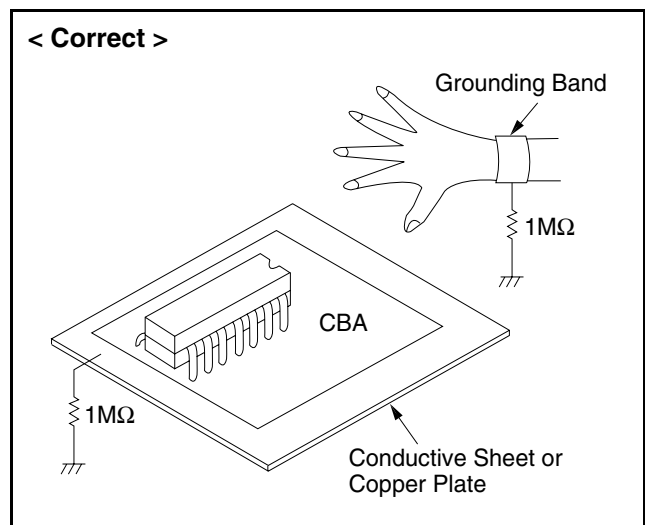
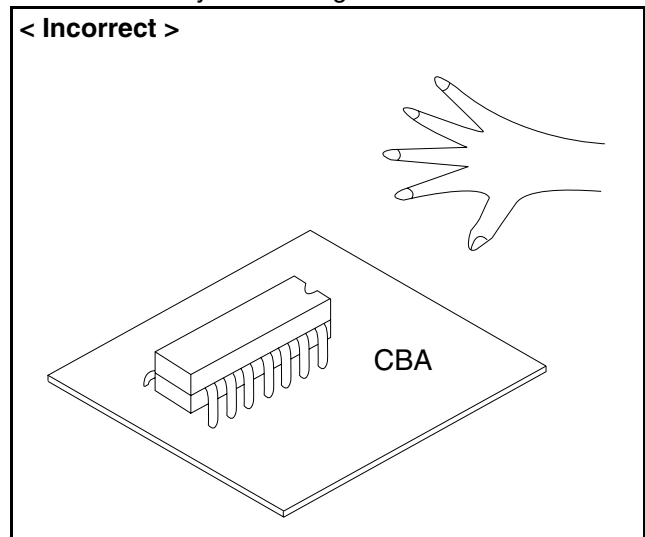
Electrostatic breakdown of the semi-conductors may occur due to a potential difference caused by electrostatic charge during unpacking or repair work.

1. Ground for Human Body

Be sure to wear a grounding band ($1M\Omega$) that is properly grounded to remove any static electricity that may be charged on the body.

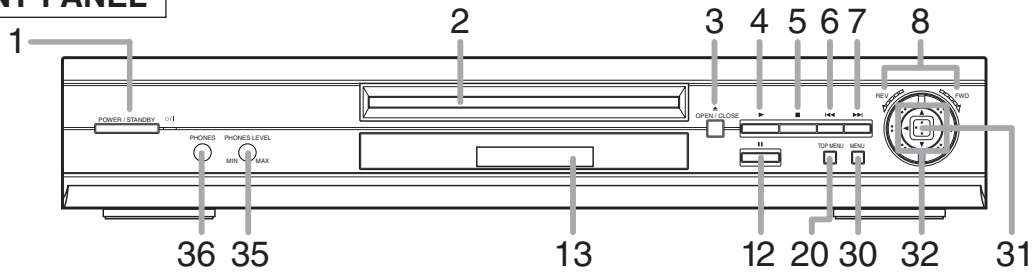
2. Ground for Workbench

- (4) Be sure to place a conductive sheet or copper plate with proper grounding ($1M\Omega$) on the workbench or other surface, where the semi-conductors are to be placed. Because the static electricity charge on clothing will not escape through the body grounding band, be careful to avoid contacting semi-conductors with your clothing.

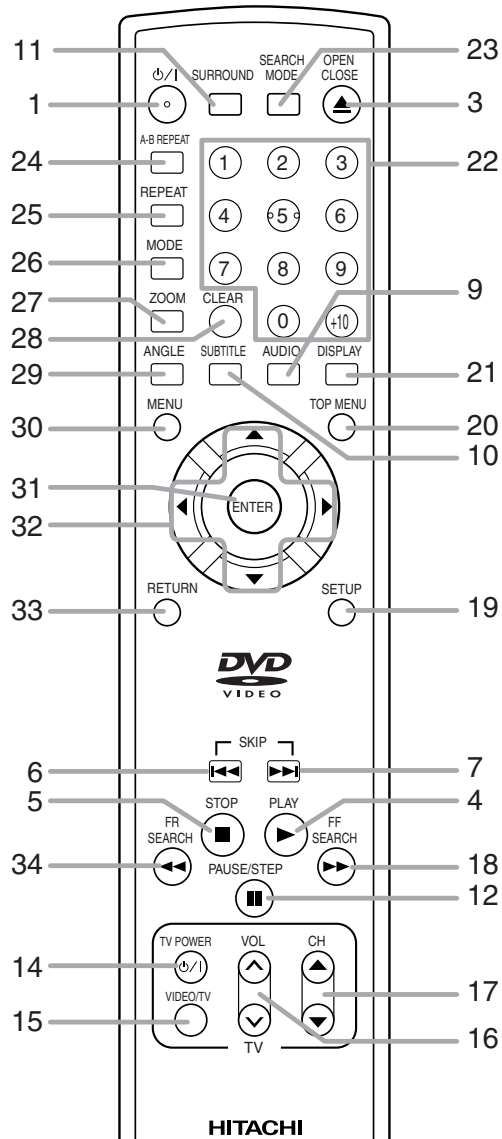


OPERATING CONTROLS AND FUNCTIONS

FRONT PANEL



REMOTE CONTROL



1. $\phi/1$ (POWER/STANDBY) Button
2. Disc loading tray
3. OPEN/CLOSE Button
4. PLAY Button
5. STOP Button

6. **SKIP DOWN/REV Button**
Plays back from the beginning of the current chapter or track. Hold down to fast reverse playback.
7. **SKIP UP/FWD Button**
Plays back from the beginning of the next chapter or track. Hold down to fast forward playback.
8. **Shuttle Ring (REV/FWD)**
Turn to make rewind or fast forward speed faster in the forward or backward direction in the Play mode or Still mode. The further the Shuttle Ring is rotated, the faster the playback speed.
9. **AUDIO Button**
Press to select a desired audio language or sound mode.
10. **SUBTITLE Button**
Press to select a desired subtitle language.
11. **SURROUND Button**
12. **PAUSE/STEP Button**
13. **Display, Remote Sensor Window**
14. **TV POWER Button**
15. **VIDEO/TV Button**
16. **VOL Button**
17. **CH Button**
18. **FF SEARCH Button**
19. **SETUP Button**
20. **TOP MENU Button**
21. **DISPLAY Button**
22. **Numeric Buttons**
23. **SEARCH MODE Button**
24. **A-B REPEAT Button**
25. **REPEAT Button**
26. **MODE Button**
27. **ZOOM Button**
28. **CLEAR Button**
29. **ANGLE Button**
Press to change the camera angle to see the sequence being played back from a different angle.
30. **MENU Button**
31. **ENTER Button**
32. **Arrow Buttons**
Use when making settings while watching the display on a TV screen.
33. **RETURN Button**
34. **FR SEARCH Button**
35. **PHONES LEVEL (Headphone level control)**
Adjust the volume by phones level.
36. **PHONES (Headphone jack)**
To connect headphone (Not supplied) for personal listening.

DISPLAY

Stays on when the A-B repeat function is on.

Stays on when the repeat function is on.

Lights up when a DVD is inserted on the tray.

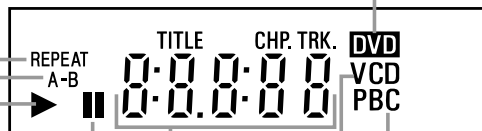
Lights up when the inserted disc comes to a pause.

Stays on when the inserted disc is being played back.

Displays how long a current title or track has been played back. When a chapter or track has switched, the number of a new title, chapter or track is displayed.

CD:
Lights up when a CD is inserted on the tray.
VCD:
Lights up when a Video CD is inserted on the tray.

Lights up when a playback control is activated.

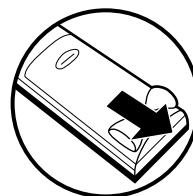


DISPLAYS DURING OPERATION

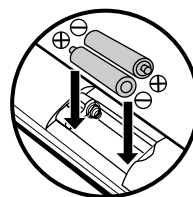
	Power on
	No disc inserted
	Tray open
	Tray closed
	Loading the Disc
	Power off

LOADING THE BATTERIES

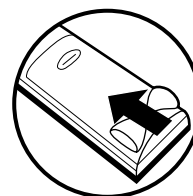
1. Open the battery compartment cover.



2. Insert two AA batteries, with each one oriented correctly.



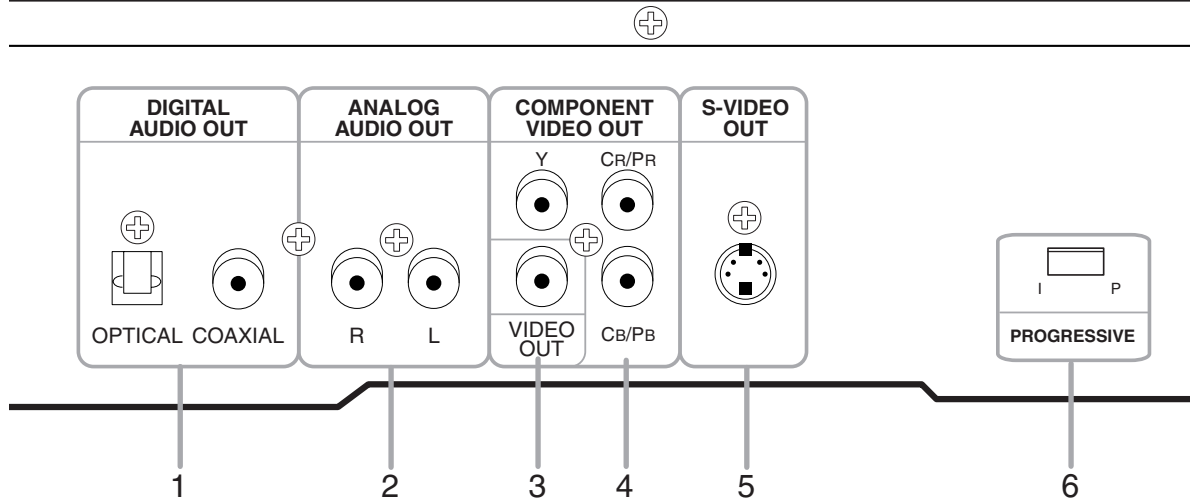
3. Close the cover.



Notes

- Do not mix alkaline and manganese batteries.
- Do not mix old and new batteries.

DESCRIPTION-REAR PANEL



1. DIGITAL AUDIO OUT JACKS:

Use either an optical or coaxial digital cable to connect to a compatible Dolby Digital receiver. Use to connect to a Dolby Digital decoder or DTS decoder.

2. ANALOG AUDIO OUT JACKS

Connect to the Audio input jacks of A/V-compatible TV or wide screen TV, Stereo system.

3. VIDEO OUT JACK

Use a video cable to connect one of the jack to Video input on your A/V-compatible TV or wide screen TV, Stereo system.

4. COMPONENT VIDEO OUT JACKS

Use these jacks if you have a TV with Component Video in jacks. These jacks provide C_R/P_R, C_B/P_B and Y video. Along with S-Video, Component Video provides the best picture quality.

5. S-VIDEO OUT JACK

Use the S-Video cable to connect this jack to the S-Video jack on your A/V-compatible TV or wide screen TV for a higher quality picture.

6. PROGRESSIVE switch

The DCDi (Directional Correlational De-interlacing) system of this DVD player produces smooth and natural video images, even if really dynamic, by eliminating the jagged edges. "DCDi" is a registered trademark of Faroudja, a division of Sage Inc.

Manufactured under license from Dolby Laboratories. "Dolby" and the double-D symbol are trademarks of Dolby Laboratories.

"DTS" and "DTS Digital Out" are trademarks of Digital Theater Systems, Inc.

FIRMWARE RENEWAL MODE

HOW TO UPDATE THE FIRMWARE VERSION

1. Turn the power on and remove the disc on the tray.
2. To put the DVD player into version up mode, press [9], [8], [7], [6], and [SEARCH MODE] buttons on the remote control unit in that order. The tray will open automatically.
Fig. a appears on the screen and Fig. b appears on the VFD.

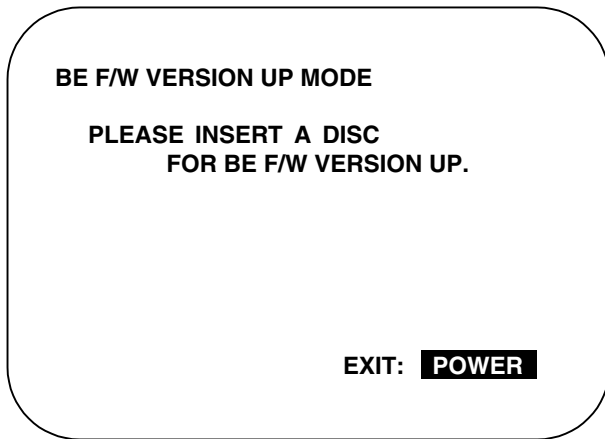


Fig. a Version Up Mode Screen

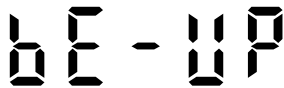


Fig. b VFD in Version Up Mode

The DVD player can also enter the version up mode with the tray open. In this case, Fig. a will be shown on the screen while the tray is open.

3. Load the disc for version up. (For closing the tray, only the "OPEN/CLOSE" button is available.)
4. The DVD player enters the F/W version up mode automatically. Fig. c appears on the screen and Fig. d appears on the VFD.

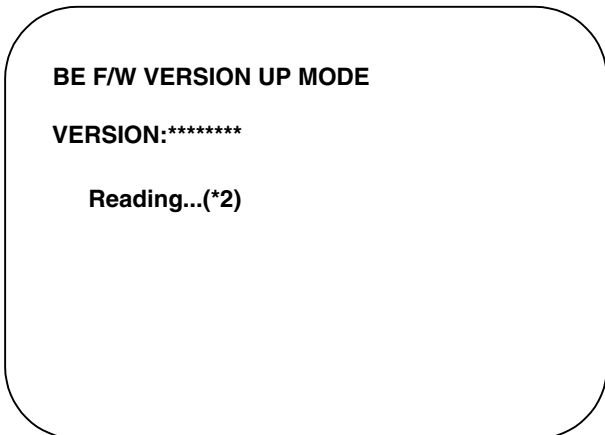


Fig. c Programming Mode Screen



Fig. d VFD in Programming Mode (Example)

The appearance shown in (*2) of Fig. c is described as follows:

No.	Appearance	State
1	Reading...	Sending files into the memory
2	Erasing...	Erasing previous version data
3	Programming...	Writing new version data

5. After programming is finished, the tray opens automatically. Fig. e appears on the screen and the checksum in (*3) of Fig. e appears on the VFD. (Fig. f)

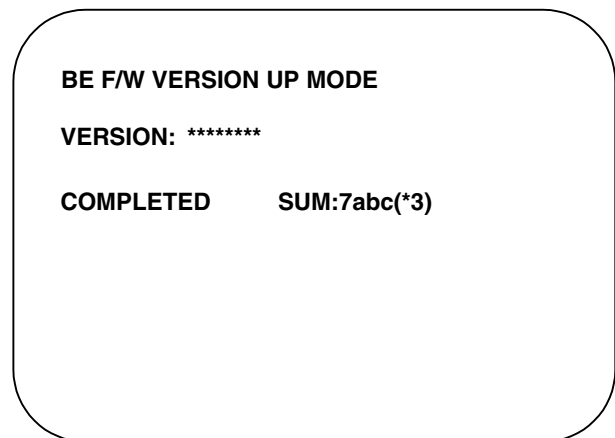


Fig. e Completed Program Mode Screen



Fig. f VFD upon Finishing the Programing Mode (Example)

At this time, no buttons are available.

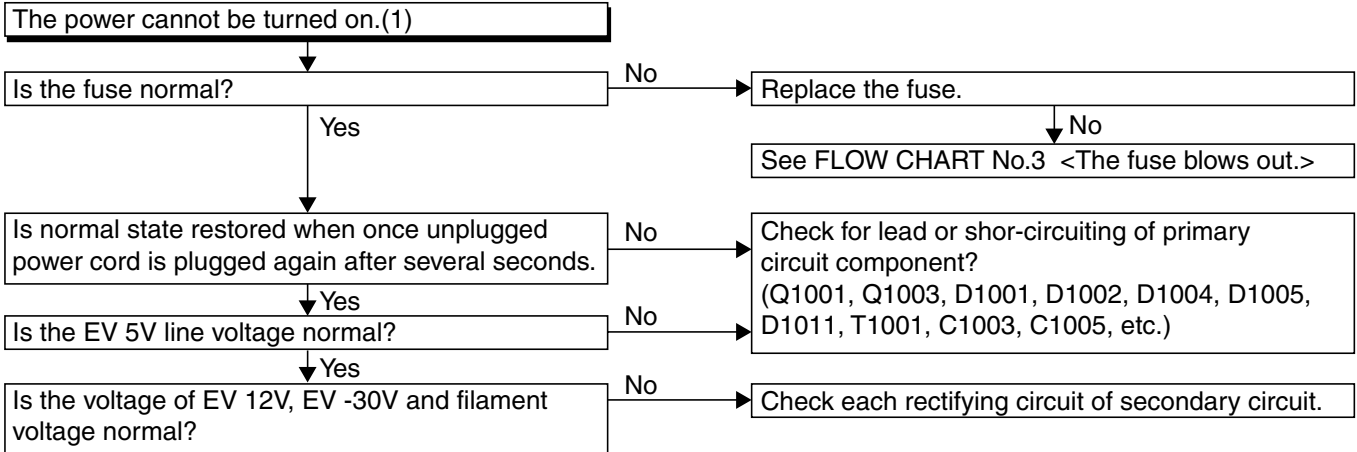
6. For tray opening, plug the AC cord into the AC outlet.
7. Turn the power on by pressing the power button and the tray will close.

HOW TO VERIFY THE FIRMWARE VERSION

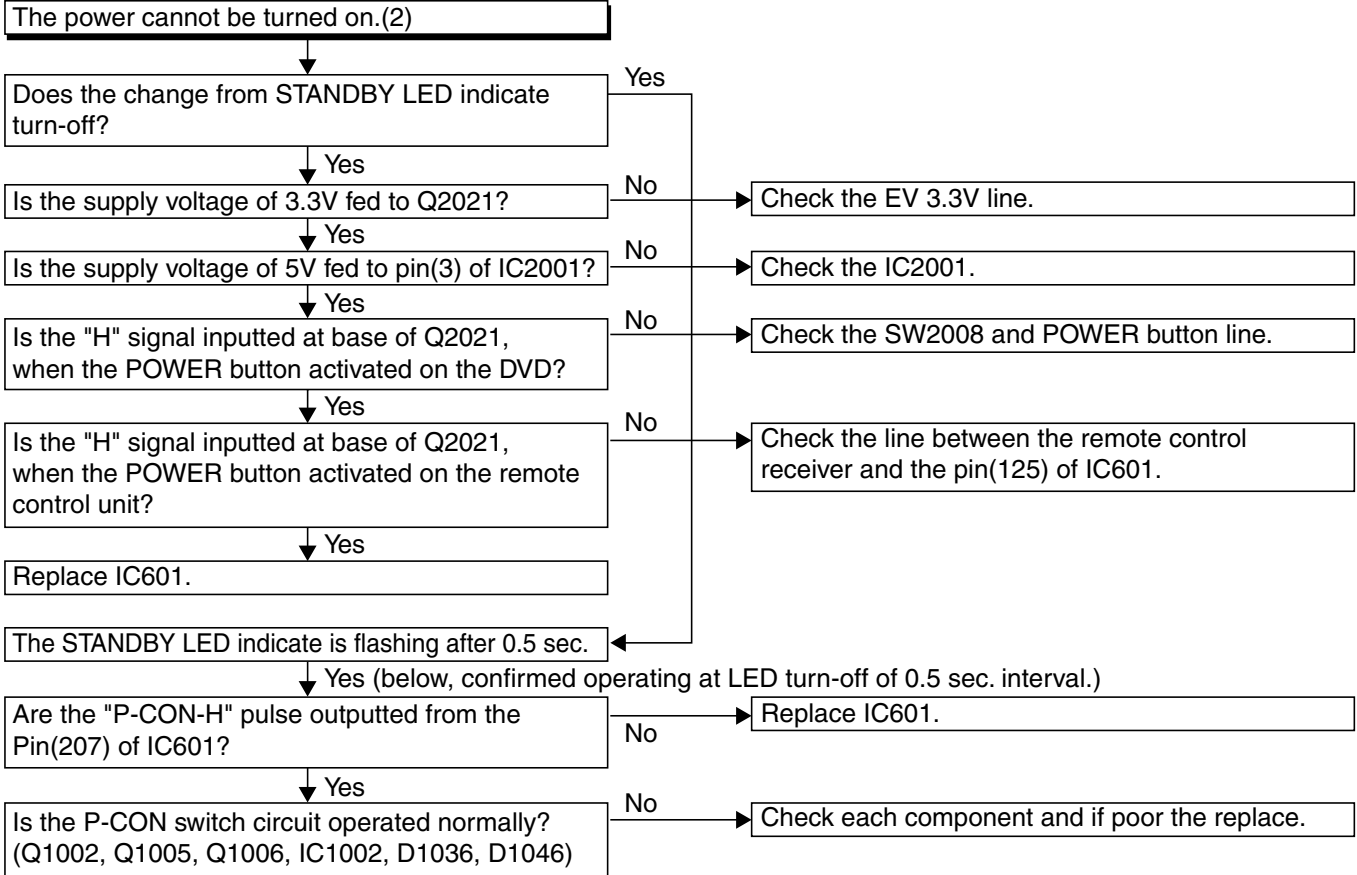
1. After making sure that no disc is in unit, turn the power on.
2. Press [1], [2], [3], [4], and [DISPLAY] buttons on the remote control unit in that order. The B/E version appears on the VFD, and the F/E and B/E versions appear on TV screen.

TROUBLESHOOTING

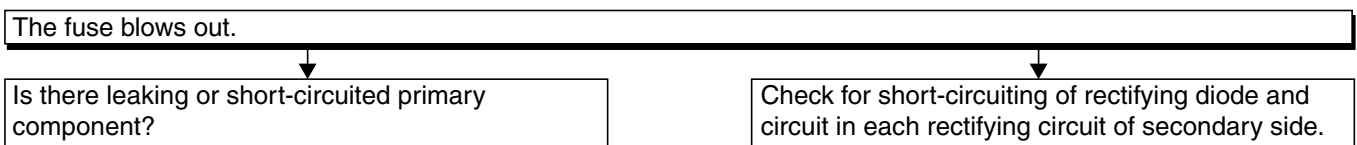
FLOW CHART NO.1



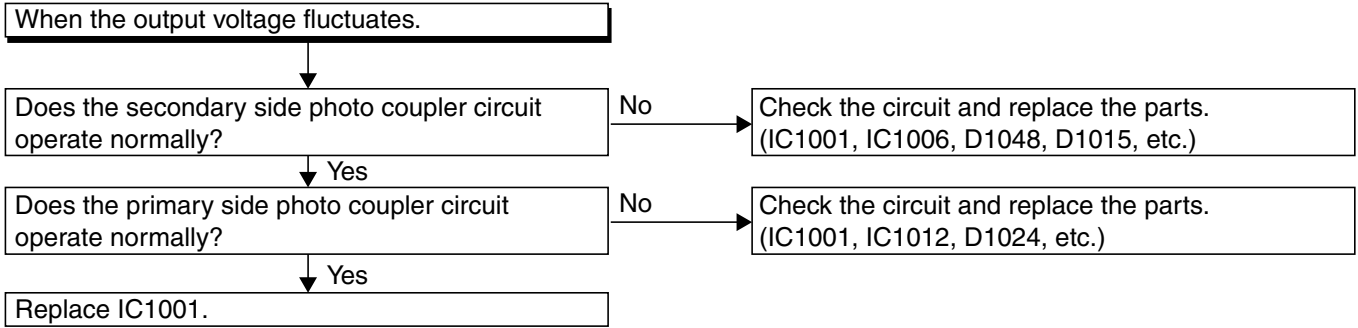
FLOW CHART NO.2



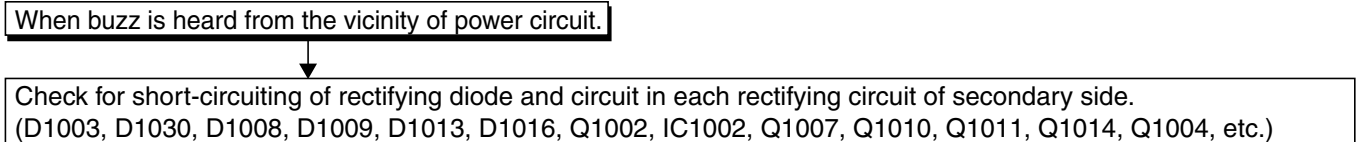
FLOW CHART NO.3



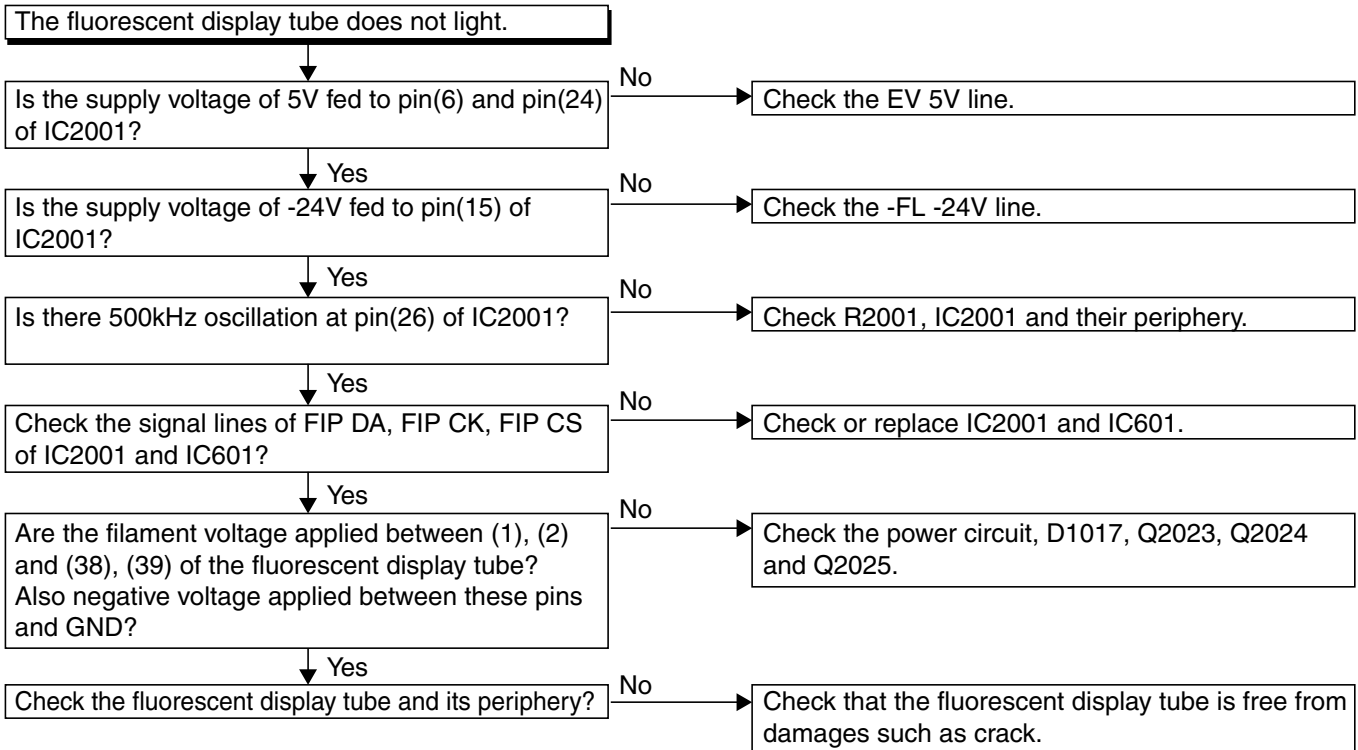
FLOW CHART NO.4



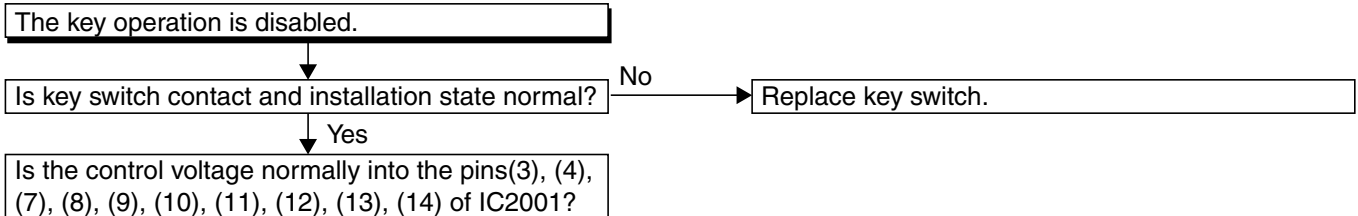
FLOW CHART NO.5



FLOW CHART NO.6

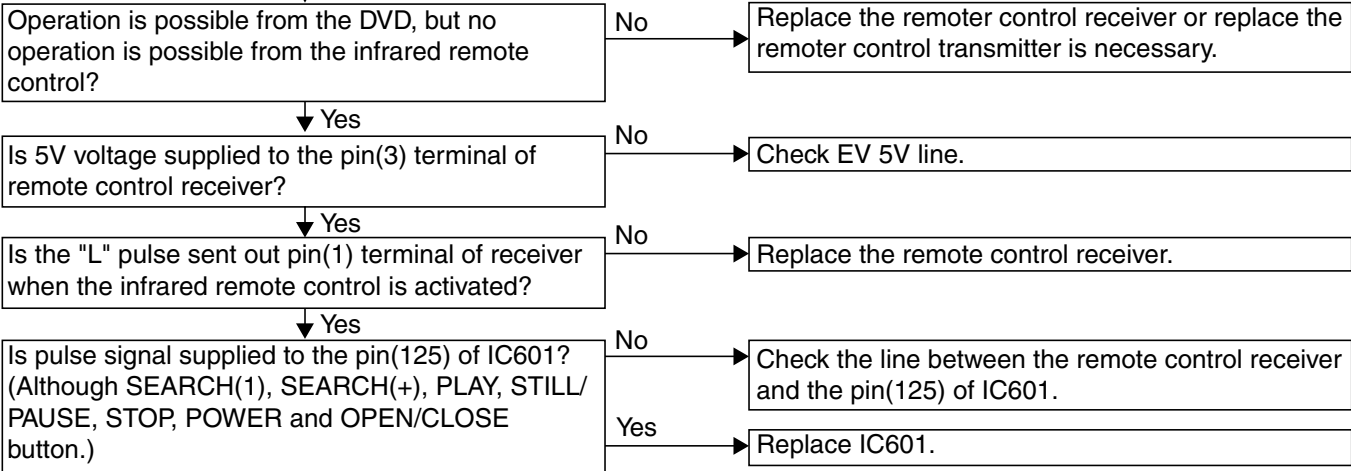


FLOW CHART NO.7



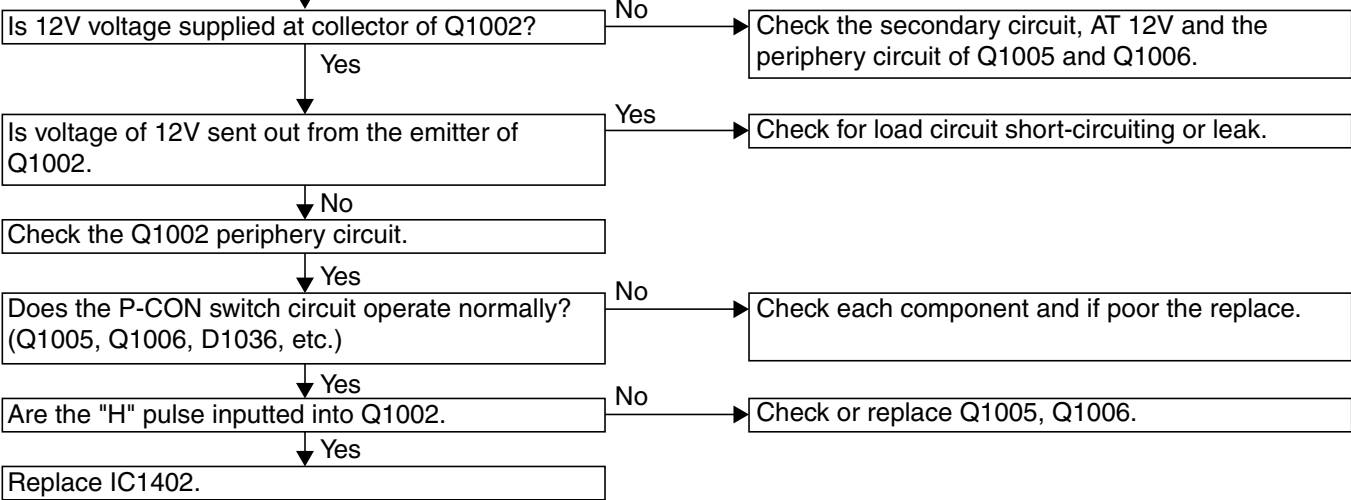
FLOW CHART NO.8

No operation is possible from the infrared remote control.



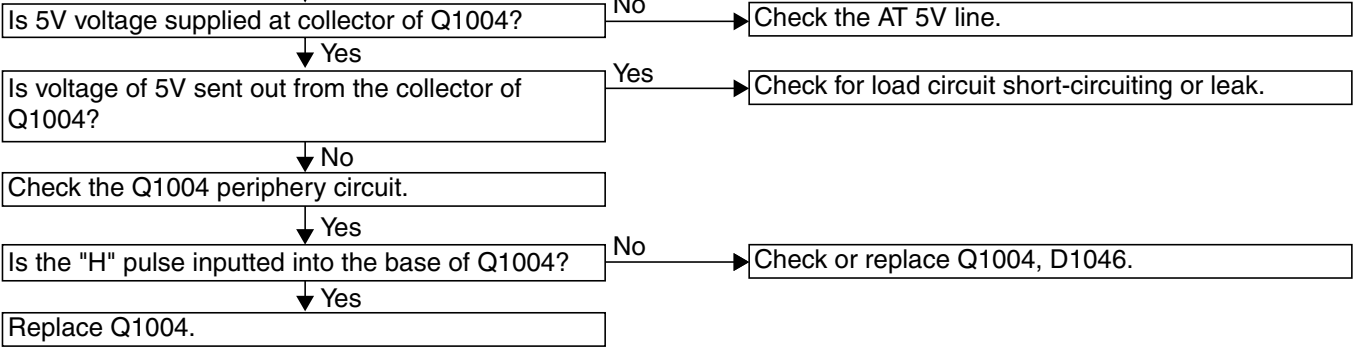
FLOW CHART NO.9

PON 12V is not outputted.



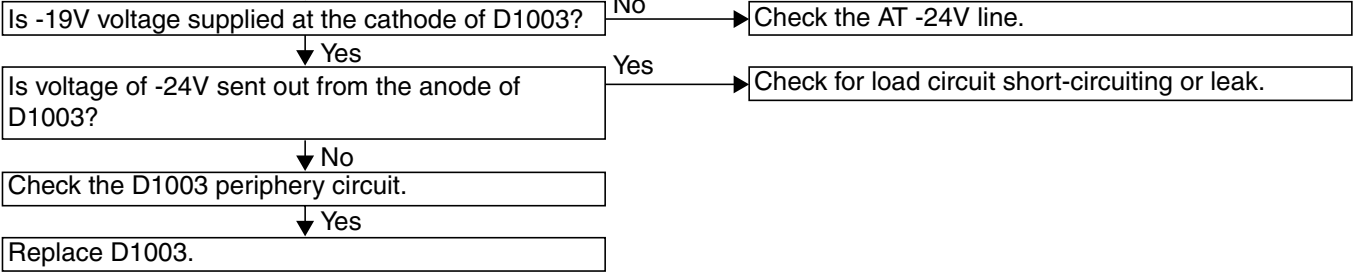
FLOW CHART NO.10

PON 5V is not outputted. (PON 12V is possible.)



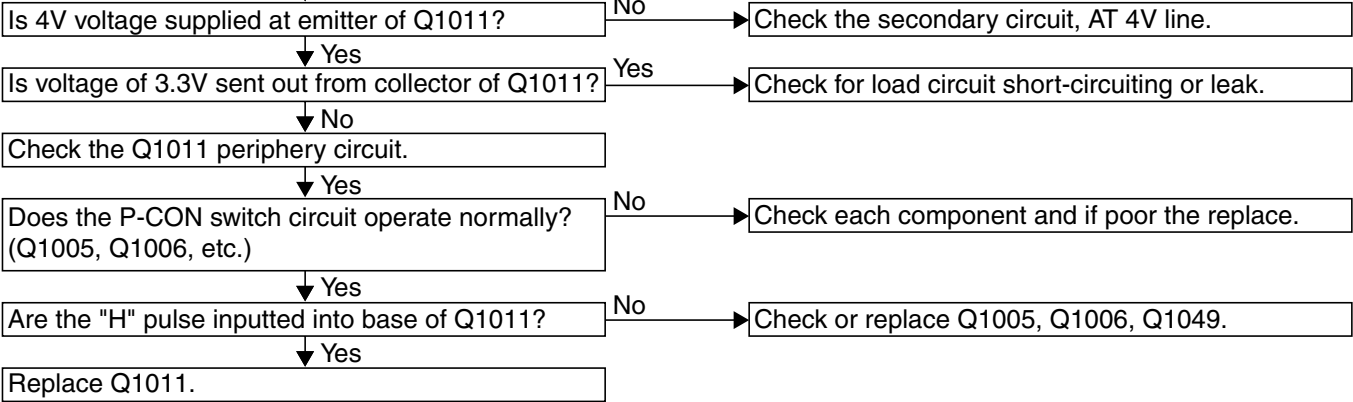
FLOW CHART NO.11

EV -19V is not outputted.

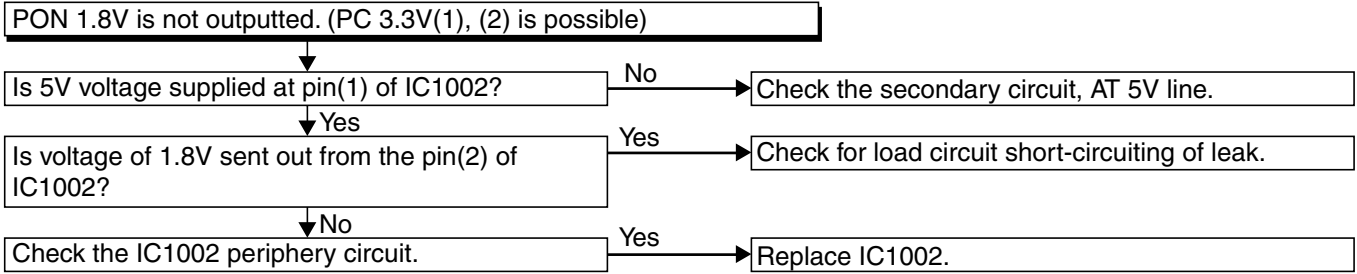


FLOW CHART NO.12

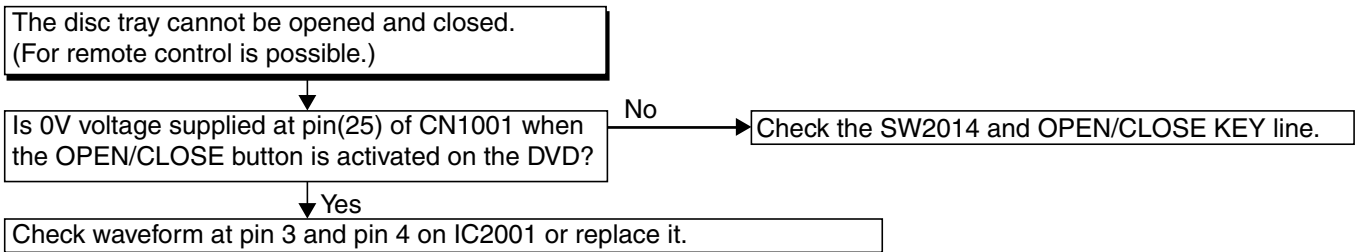
PON 3.3V(1), (2) is not outputted.



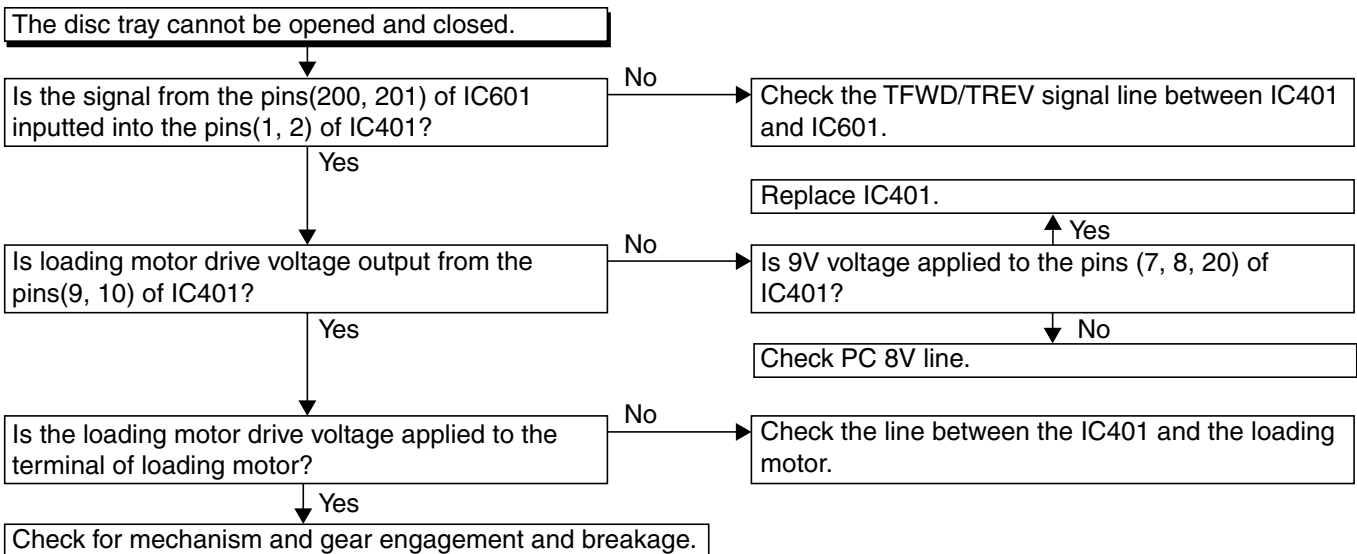
FLOW CHART NO.13



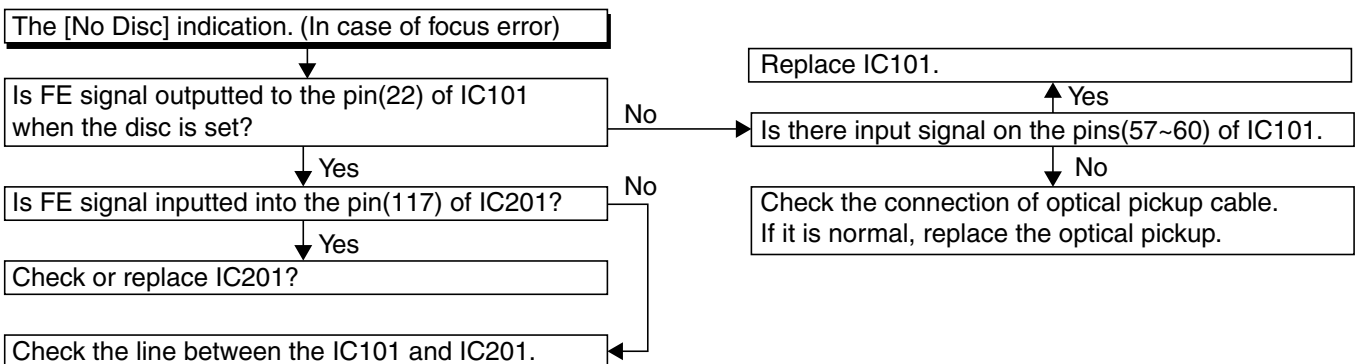
FLOW CHART NO.14



FLOW CHART NO.15

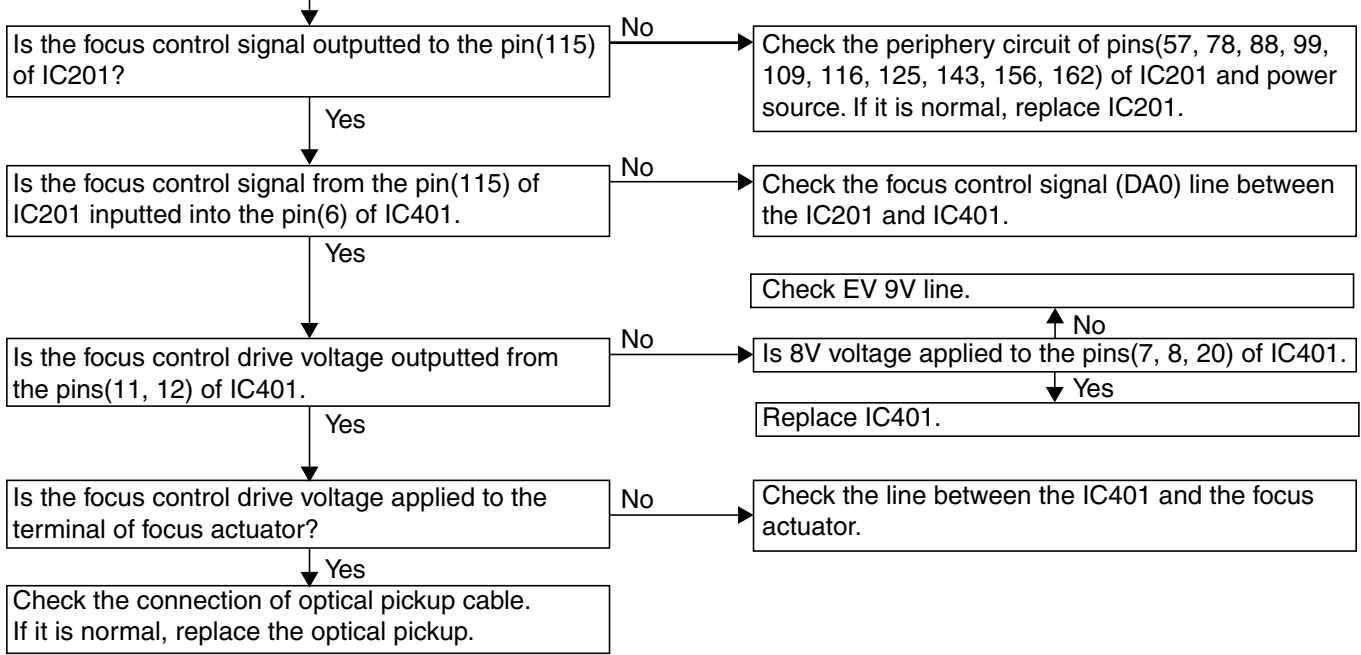


FLOW CHART NO.16



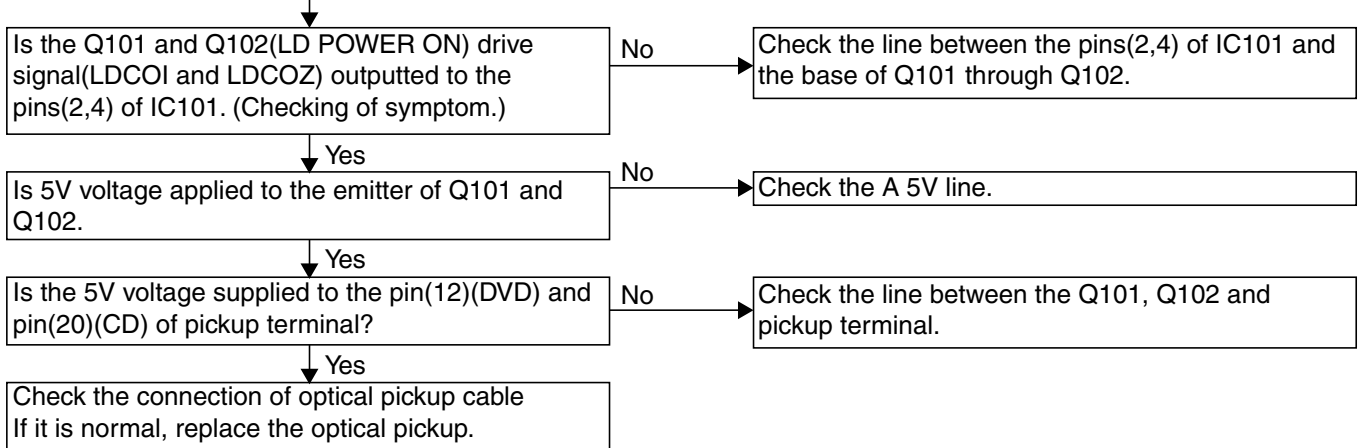
FLOW CHART NO.17

The [No Disc] indication. (In case focus servo does not function.)



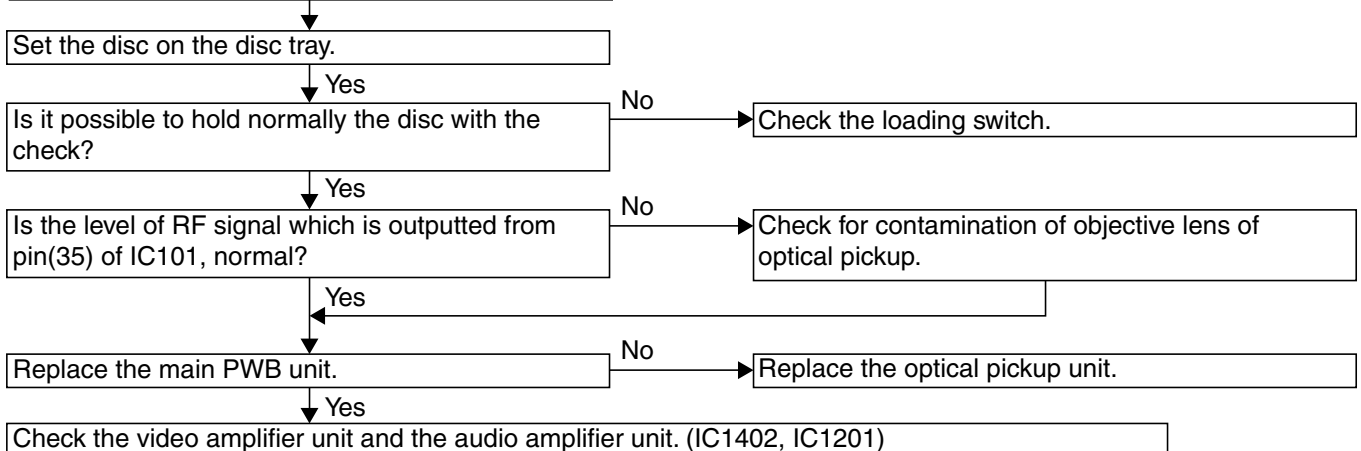
FLOW CHART NO.18

The [No Disc] indication. (When the laser beam does not light.)

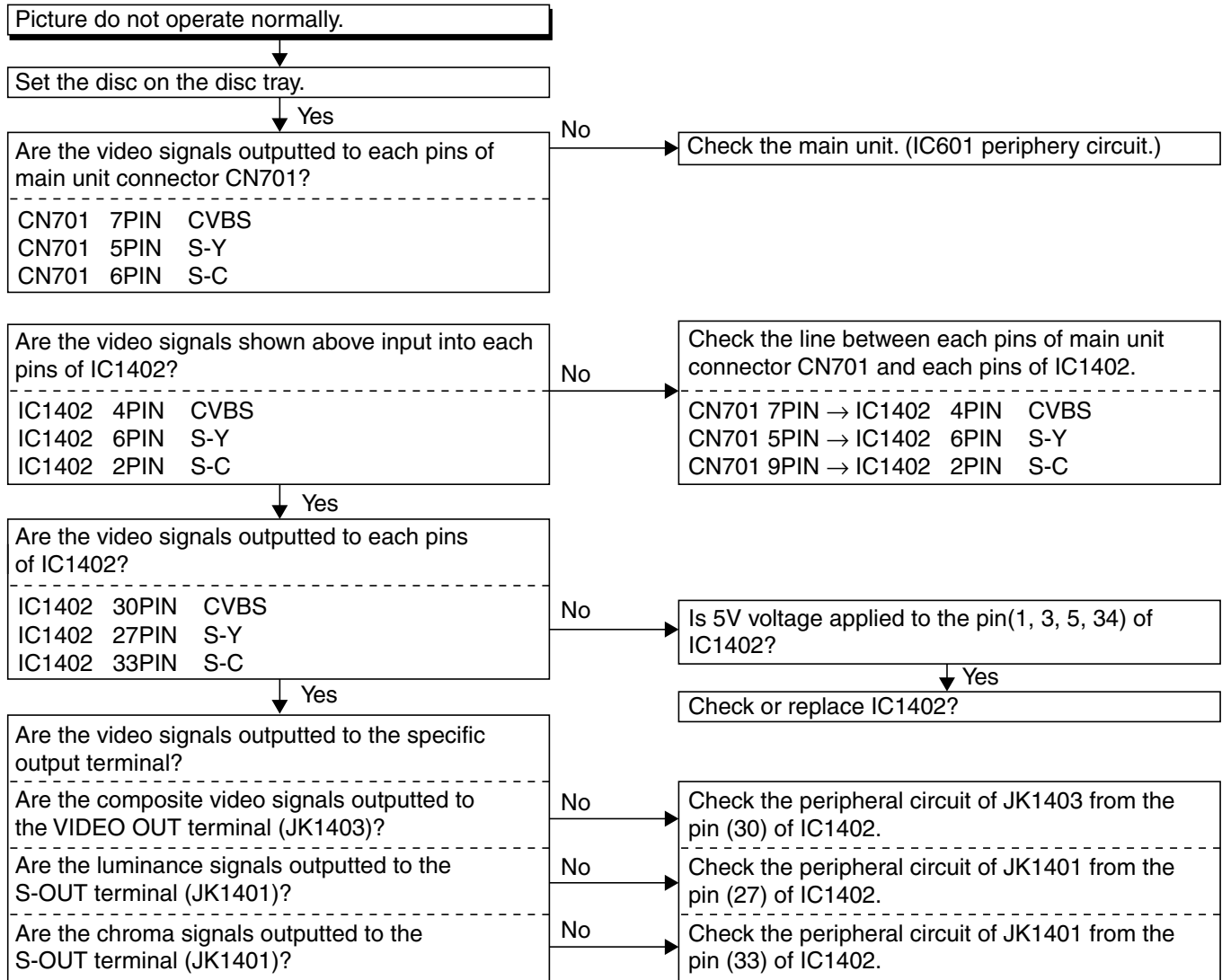


FLOW CHART NO.19

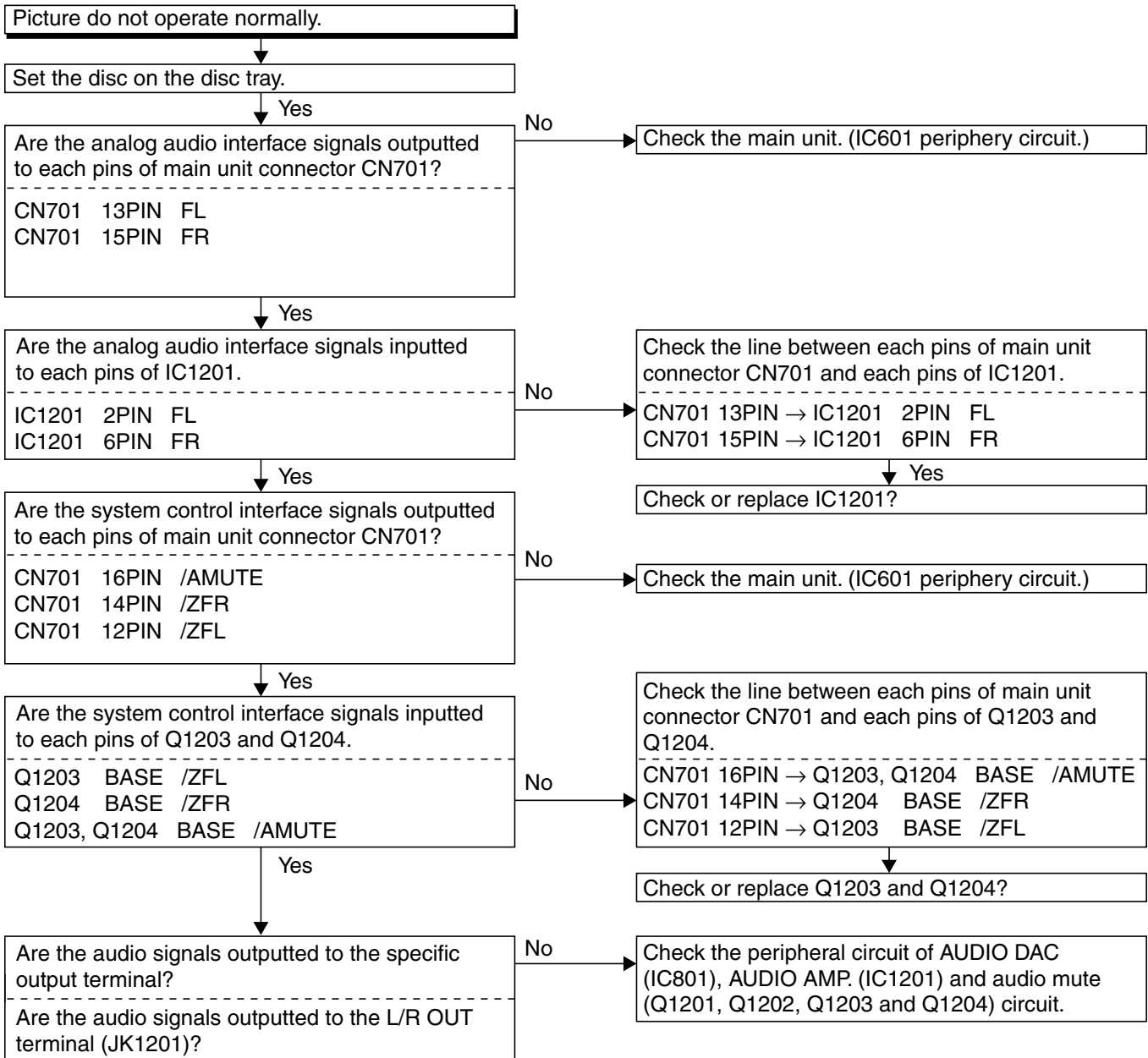
Both picture and sound do not operate normally.



FLOW CHART NO.20



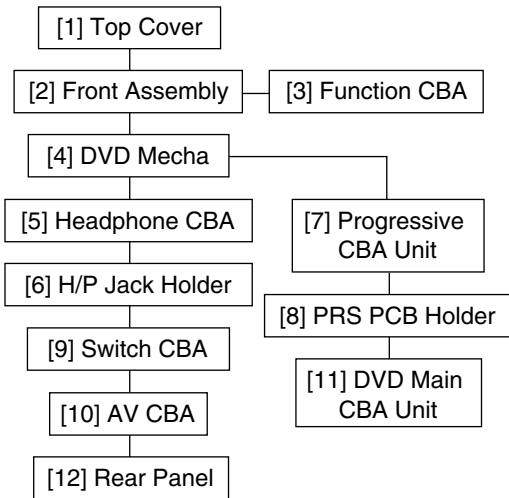
FLOW CHART NO.21



CABINET DISASSEMBLY INSTRUCTIONS

1. Disassembly Flowchart

This flowchart indicates the disassembly steps to gain access to item(s) to be serviced. When reassembling, follow the steps in reverse order. Bend, route, and dress the cables as they were originally.



ID/ LOC. No.	PART	REMOVAL		
		Fig. No.	REMOVE/*UNHOOK/ UNLOCK/RELEASE/ UNPLUG/DESOLDER	Note
[7]	Progressive CBA Unit	4	(S-6), *3(L-5), *CN1801, *CN1802	-
[8]	PRS PCB Holder	4	2(S-7)	-
[9]	Switch CBA	6	(S-8), *2(L-6)	-
[10]	AV CBA	6	5(S-9), 3(S-10), *CN1001, *CN1601	-
[11]	DVD Main CBA Unit	6	3(S-11)	-
[12]	Rear Panel	7	3(S-12)	-

↓ (1) ↓ (2) ↓ (3) ↓ (4) ↓ (5)

(1): Identification (location) No. of parts in the figures

(2): Name of the part

(3): Figure Number for reference

(4): Identification of parts to be removed, unhooked, unlocked, released, unplugged, unclamped, or desoldered.

P=Spring, L=Locking Tab, S=Screw, CN=Connector

*=Unhook, Unlock, Release, Unplug, or Desolder

e.g. 2(S-2) = two Screws (S-2),

2(L-2) = two Locking Tabs (L-2)

(5): Refer to "Reference Notes."

2. Disassembly Method

ID/ LOC. No.	PART	REMOVAL		
		Fig. No.	REMOVE/*UNHOOK/ UNLOCK/RELEASE/ UNPLUG/DESOLDER	Note
[1]	Top Cover	1	5(S-1)	-
[2]	Front Assembly	2	*2(L-1), Tray Panel, *2(L-2), *CN2002, *5(L-3),	1-1 1-2 1-3 1-4 1-5 1-6
[3]	Function CBA	3	8(S-2), Jog Button, Cross Button	-
[4]	DVD Mecha	4,5	3(S-3), *CN101, *CN401	2 2-1 2-2 2-3 3
[5]	Headphone CBA	4	(S-4), *4(L-4), *CN2701	-
[6]	H/P Jack Holder	4	(S-5)	-

Reference Notes

CAUTION 1: Locking Tabs (L-1), (L-2) and (L-3) are fragile. Be careful not to break them.

- 1-1. Connect the wall plug to an AC outlet and press the OPEN/CLOSE button to open the Tray.
- 1-2. Remove the Tray Panel by releasing two Locking Tabs (L-1).
- 1-3. Press the OPEN/CLOSE button again to close the Tray.
- 1-4. Press the POWER/STANDBY button to turn the power off and unplug an AC cord.
- 1-5. Disconnect connector CN2002.
- 1-7. Release two Locking Tabs (L-2). Then, release five Locking Tabs (L-3) (to do this, first release two Locking Tabs (A) at the side, and then three Locking Tabs (B) at the bottom.)

CAUTION 2: Electrostatic breakdown of the laser diode in the optical system block may occur as a potential difference caused by electrostatic charge accumulated on cloth, human body etc, during unpacking or repair work.

To avoid damage of pickup follow next procedures.

- 2-1. Slide out the pickup unit as shown in Fig. 5.
- 2-2. Short the three short lands of FPC cable with solder before removing the FFC cable (CN101) from it. If you disconnect the FFC cable (CN101), the laser diode of pickup will be destroyed. (Fig. 5)
- 2-3. Disconnect Connector (CN401). Remove three Screws (S-3) and lift the DVD Mecha. (Fig. 4)

CAUTION 3: When reassembling, confirm the FFC cable (CN101) is connected completely. Then remove the solder from the three short lands of FPC cable. (Fig. 5)

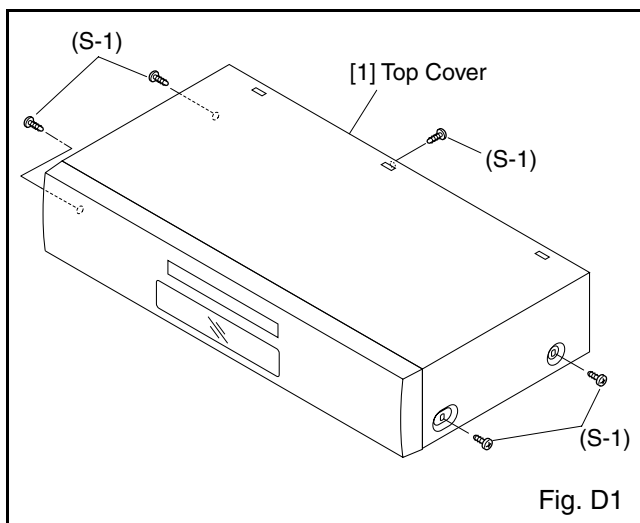


Fig. D1

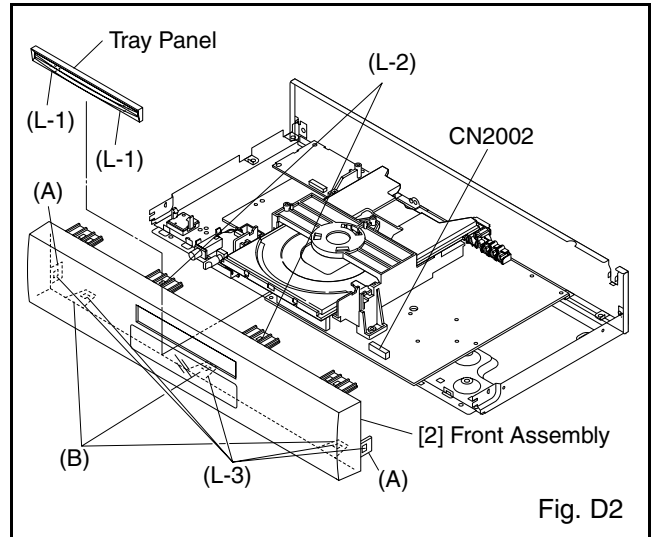


Fig. D2

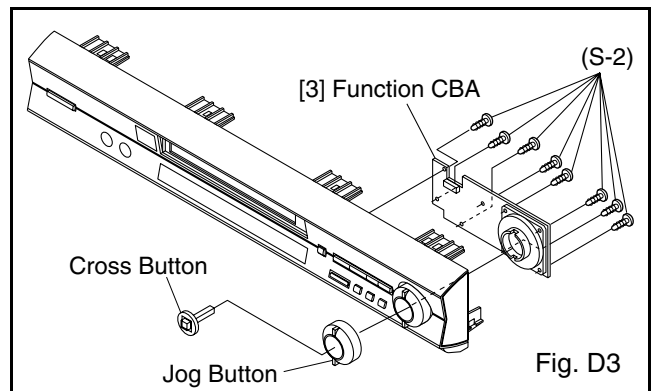


Fig. D3

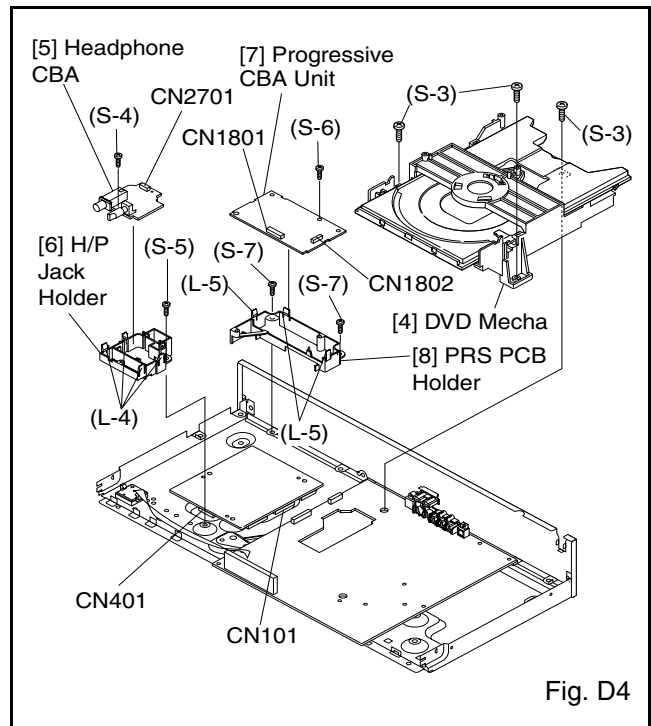
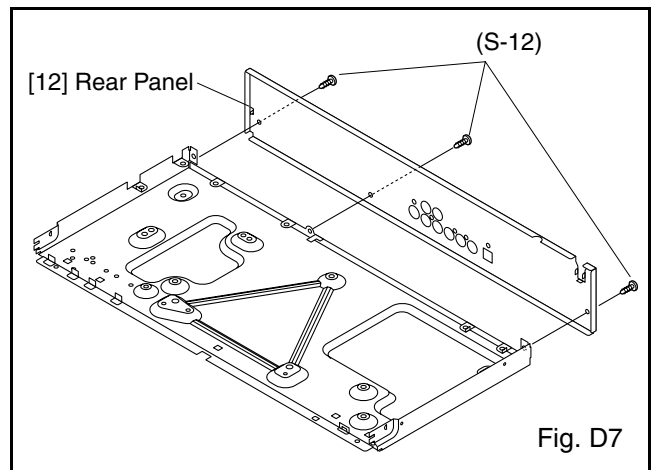
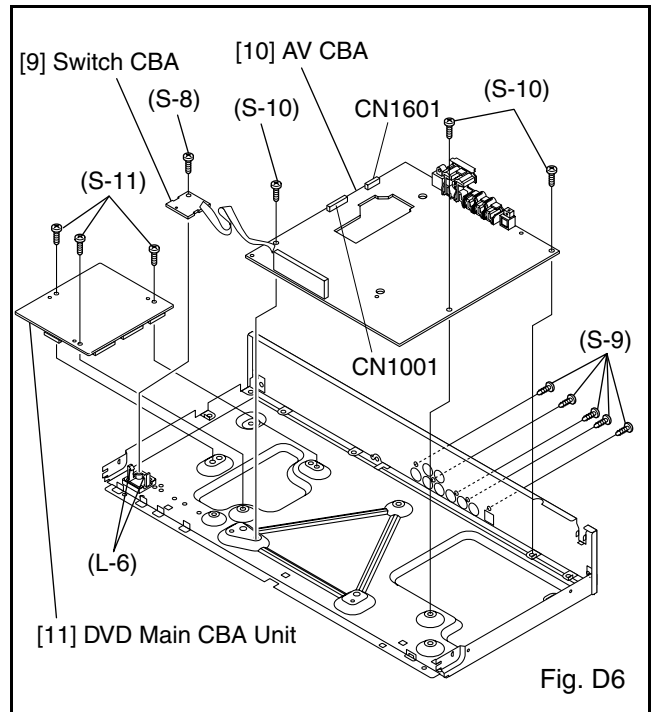
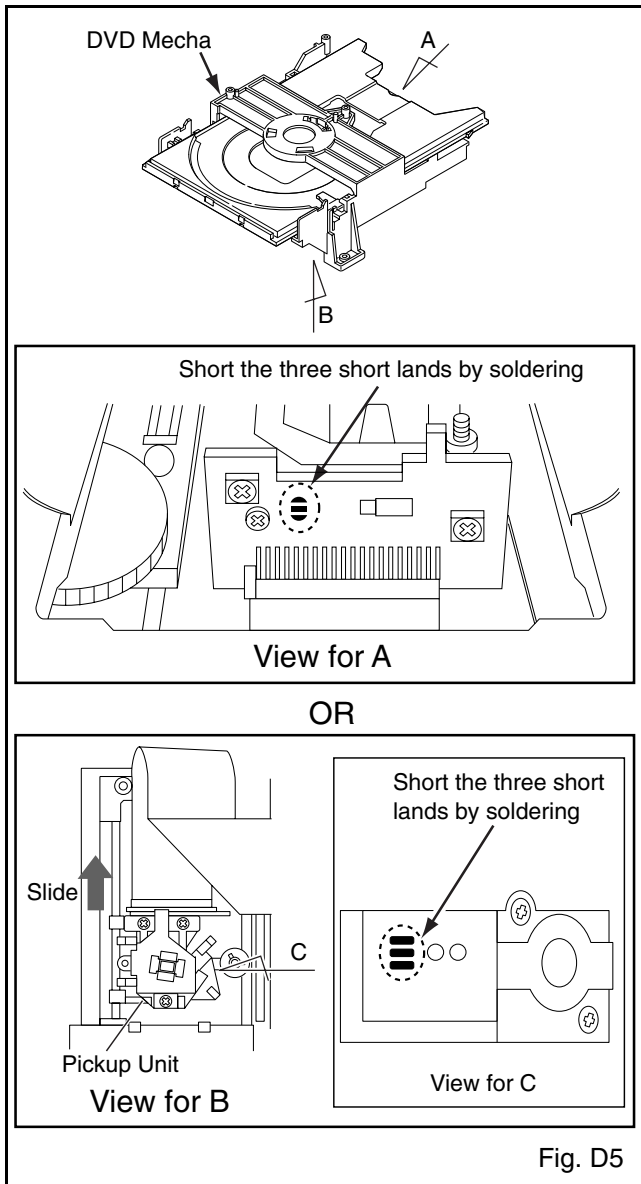
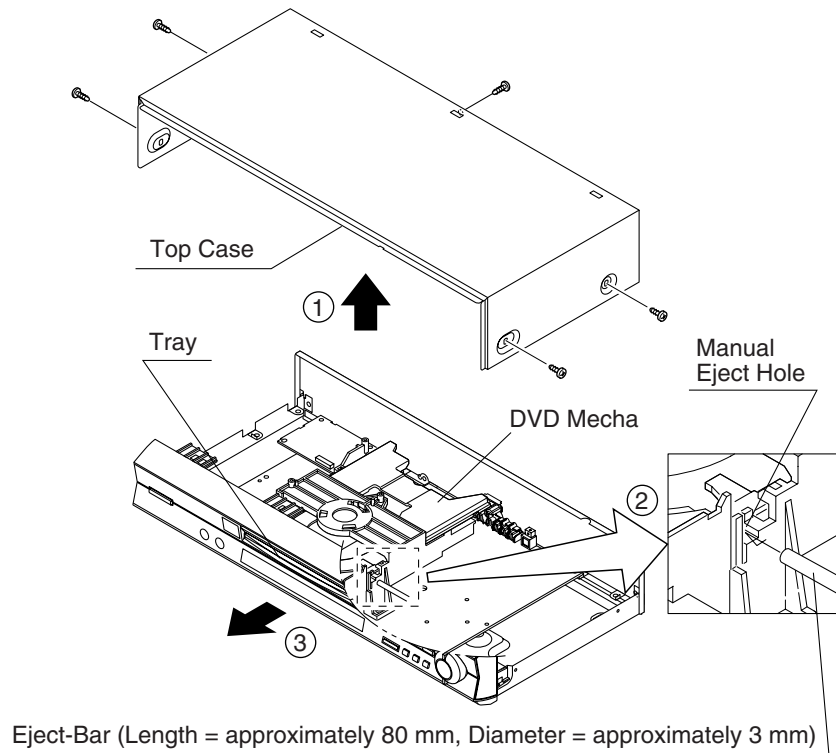


Fig. D4



HOW TO MANUAL EJECT

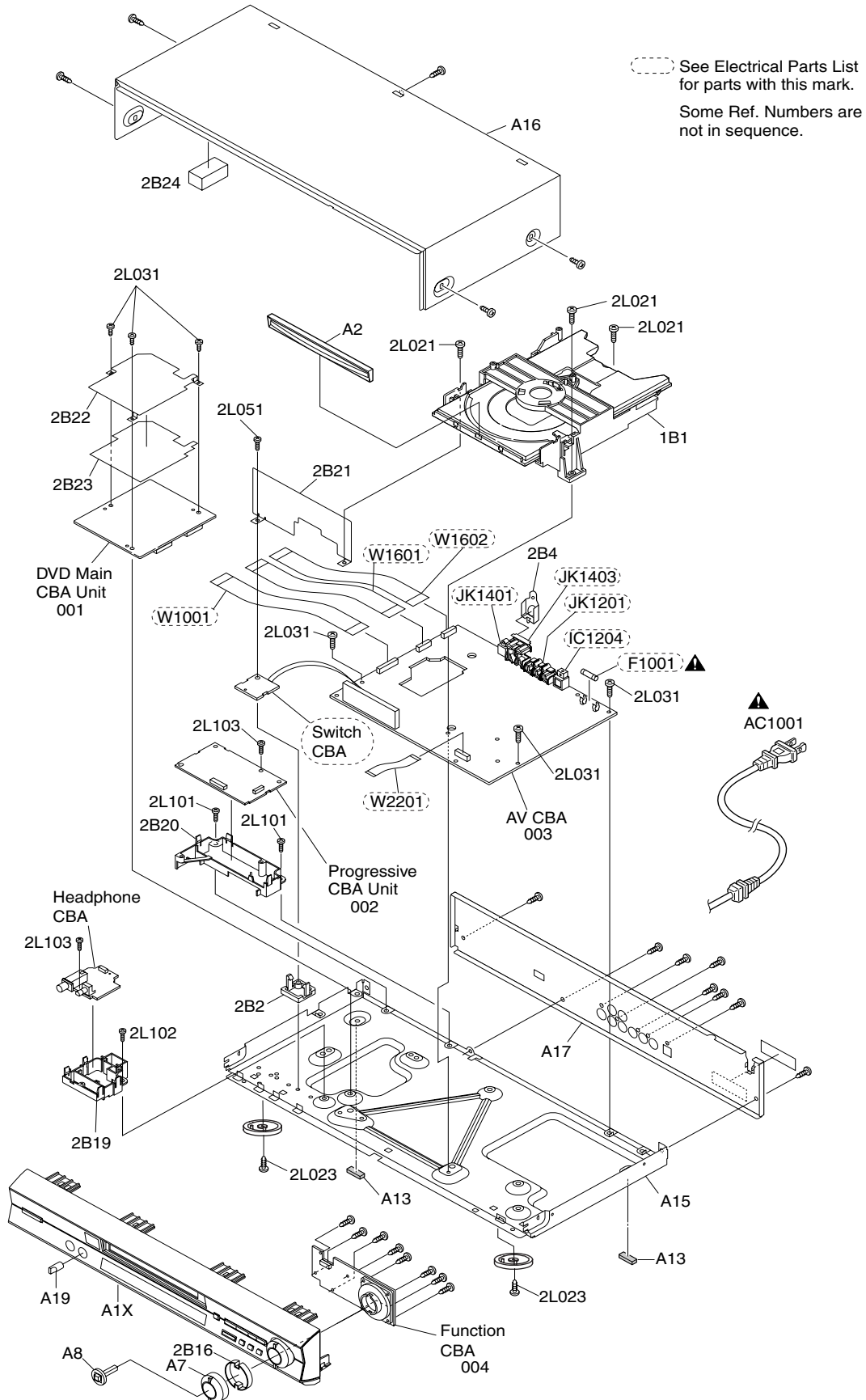
1. Remove the Top Case.
2. Insert the eject-bar (length = approximately 80 mm, diameter = approximately 3 mm) into the manual eject hole on the DVD Mecha. Then, press it until the tray is ejected.



CHAPTER 3 EXPLODED VIEWS AND PARTS LIST

EXPLODED VIEWS

Cabinet



REPLACEMENT PARTS LIST

Mechanical Parts List

SYMBOL-NO	P-NO	DESCRIPTION	SYMBOL-NO	P-NO	DESCRIPTION
MECHANISM SECTION					
A1X	TJ15841	FRONT ASSEMBLY			
A2	TJ15673	TRAY ASSEMBLY			
A7	TJ15482	JOG SHUTTLE KEY			
A8	TJ15483	CROSS BUTTON			
A13	TJ15675	FOOT			
A15	TJ15676	MAIN CHASSIS			
A16	TJ15677	TOP COVER SILVER			
A17	TJ15484	REAR PANEL			
A19	TJ15485	KNOB VOLUME			
▲ AC1001	TE14761	AC CORD			
1B1	TS17001	DVD MECHA			
2B2	TJ15681	POWER PCB HOLDER			
2B4	TJ15651	EARTH PLATE			
2B16	TJ15486	JOG RING			
2B19	TJ15487	H/P JACK HOLDER			
2B20	TJ15488	PRS PCB HOLDER			
2L021	TJ15682	SCREW (M3X10)			
2L023	TJ15683	SCREW (M3X6)			
2L031	TJ15683	SCREW (M3X6)			
2L051	TJ15682	SCREW (M3X10)			
2L101	TJ15683	SCREW (M3X6)			
2L102	TJ15683	SCREW (M3X6)			
2L103	TJ10177	SCREW (3X8)			
001	TS17171	DVD MAIN CBA UNIT			
002	TS17181	PROGRESSIVE CBA			
003	TS17191	AV CBA			
004	TS17341	FUNCTION CBA			
ACCESSORIES					
X1	TJ16901	REMOTE CONTROL UNIT			
X5	TE14751	AV CORD			

Electrical Parts List

Note: Although some parts in the schematic diagrams have different names from those in the parts list, there is no problem in replacing parts.

SYMBOL-NO	P-NO	DESCRIPTION	SYMBOL-NO	P-NO	DESCRIPTION
RESISTOR			Q1001	TC12291	TRANSISTOR 2SK3374
VR2701	TA14521	ROTARY POTENTION METERS 100KOHM-B	Q1002	TC10778	TRANSISTOR KTC3199(GR)
SEMI-CONDUCTORS			Q1003	TC10778	TRANSISTOR KTC3199(GR)
D1001	TC10752	RECTIFIER DIODE 1N4005	Q1004	TC12301	TRANSISTOR KTC3205(Y)
D1002	TC10752	RECTIFIER DIODE 1N4005	Q1005	TC12311	TRANSISTOR KRC110M-AT
D1003	TC10791	RECTIFIER DIODE BA157	Q1006	TC12411	TRANSISTOR KRA110M
D1004	TC10752	RECTIFIER DIODE 1N4005	Q1007	TC12301	TRANSISTOR KTC3205(Y)
D1005	TC10752	RECTIFIER DIODE 1N4005	Q1008	TC10778	TRANSISTOR KTC3199(GR)
D1008	TC10877	SCHOTTKY BARRIER DIODE ERB81-004	Q1011	TC12421	TRANSISTOR 2SA1359-Y
D1009	TC10791	RECTIFIER DIODE BA157	Q1014	TC10778	TRANSISTOR KTC3199(GR)
D1011	TC10791	RECTIFIER DIODE BA157	Q1201	TC10778	TRANSISTOR KTC3199(GR)
D1012	TC10754	SWITCHING DIODE 1N4148M	Q1202	TC10778	TRANSISTOR KTC3199(GR)
D1013	TC10877	SCHOTTKY BARRIER DIODE SB140	Q1203	TC10784	TRANSISTOR KTA1266(Y)
D1015	TC12191	ZENER DIODE DZ-6.8BSBT265	Q1204	TC10784	TRANSISTOR KTA1266(Y)
D1016	TC10791	RECTIFIER DIODE BA157	Q1351	TC10778	TRANSISTOR KTC3199(GR)
D1017	TJ13897	ZENER DIODE MTZJT-7722B	Q1603	TC10778	TRANSISTOR KTC3199(GR)
D1018	TC10754	SWITCHING DIODE 1N4148M	Q2021	TC10784	TRANSISTOR KTA1266(Y)
D1022	TC10754	SWITCHING DIODE 1N4148M	TRANSFORMER		
D1024	TC10754	SWITCHING DIODE 1N4148M	▲ T1001	TA14491	PULSE TRANS
D1025	TC10754	SWITCHING DIODE 1N4148M	COILS		
D1030	TJ15128	RECTIFIER DIODE FR202	▲ L1001	TJ15243	LINE FILTER 20MH
D1036	TC12201	ZENER DIODE DZ-13BSBT265	L1007	TA14471	CHOKE COIL 22UH
D1045	TC10877	SCHOTTKY BARRIER DIODE SB140	L1009	TA14471	CHOKE COIL 22UH
D1046	TJ14689	ZENER DIODE MTZJT-775.6C	L1011	TA12554	BEAD CORE
D1047	TJ13895	ZENER DIODE MTZJT-775.6B	L1043	TA12554	BEAD CORE
D1048	TC12211	ZENER DIODE DZ-12BSBT265	L1060	TA12554	BEAD CORE
D1049	TC10754	SWITCHING DIODE 1N4148M	L1251	TA14481	INDUCTOR 0.47UH
D1050	TJ14752	ZENER DIODE MTZJT-776.2B	L2001	TA12561	INDUCTOR 100UH
D1051	TC10752	RECTIFIER DIODE 1N4005	MISCELLANEOUS		
D1052	TC10752	RECTIFIER DIODE 1N4005	CN1001	TE14771	CONNECTOR
D2001	TC10754	SWITCHING DIODE 1N4148M	CN1601	TE14781	CONNECTOR
D2002	TC10754	SWITCHING DIODE 1N4148M	CN1602	TE14791	CONNECTOR
D2003	TC10754	SWITCHING DIODE 1N4148M	CN2002	TE14791	CONNECTOR
D2004	TC10754	SWITCHING DIODE 1N4148M	CN2201	TE14891	CONNECTOR
D2021	TJ14716	LED(REDF) LT6311G-41	CN2701	TE14981	CONNECTOR
D2201	TC10754	SWITCHING DIODE 1N4148M	▲ F1001	TE13223	FUSE 1A/250V
D2202	TC10754	SWITCHING DIODE 1N4148M	FH1001	TE11084	FUSE HOLDER
D2203	TC10754	SWITCHING DIODE 1N4148M	FH1002	TE11084	FUSE HOLDER
D2204	TC10754	SWITCHING DIODE 1N4148M	FL2001	TE14801	DISPLAY
▲ IC1001	TE13224	PHOTOCOUPLER LTV-817B-F	JK1201	TE14811	JACK
▲ IC1002	TC12231	IC PQ018EF01SZ	JK1401	TE14821	JACK
IC1003	TC12241	IC KIA431-AT	JK1403	TE14831	JACK
IC1006	TC12241	IC KIA431-AT	JK2701	TE15001	JACK
IC1201	TC12251	IC KIA4558P	RM2001	TC12331	REMOTE RECEIVER
IC1204	TC12261	TRANS.MODULE 0C-0805T-002	▲ SA1001	TC10891	SURGE ABSORBER PVR-10D471KB
IC1402	TC12271	IC MM1567AJ	SW2115	TE11957	TACT SWITCH
IC2001	TC12281	IC PT6315-S	SW2201	TE14901	JOG-SHUTTLE SWITCH
IC2701	TC12431	IC BH3544F-E2	SW2202	TE15011	TACT SWITCH

SYMBOL-NO	P-NO	DESCRIPTION	SYMBOL-NO	P-NO	DESCRIPTION
SW2203	TE11957	TACT SWITCH			
SW2204	TE11957	TACT SWITCH			
SW2205	TE11957	TACT SWITCH			
SW2206	TE11957	TACT SWITCH			
SW2207	TE11957	TACT SWITCH			
SW2208	TE11957	TACT SWITCH			
SW2209	TE11957	TACT SWITCH			
SW2210	TE11957	TACT SWITCH			
W1001	TE14841	CABLE (26P)			
W1601	TE14851	CABLE (18P)			
W1602	TE14971	CABLE (12P)			
W1801	TE14961	CABLE (18P)			
W2201	TE14861	CABLE (12P)			
W2701	TE14991	CABLE (4P)			
WJ1003	TE14871	WIRE			
WJ1004	TE14881	WIRE			

SCHEMATIC DIAGRAMS / CBA'S AND TEST POINTS

Standard Notes

WARNING

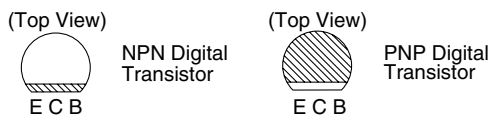
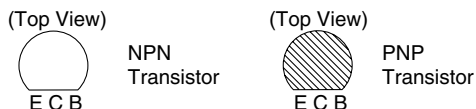
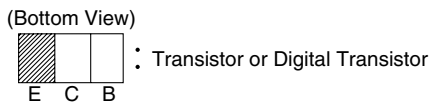
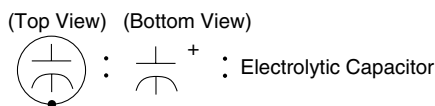
Many electrical and mechanical parts in this chassis have special characteristics. These characteristics often pass unnoticed and the protection afforded by them cannot necessarily be obtained by using replacement components rated for higher voltage, wattage, etc. Replacement parts that have these special safety characteristics are identified in this manual and its supplements; electrical components having such features are identified by the mark "▲" in the schematic diagram and the parts list. Before replacing any of these components, read the parts list in this manual carefully. The use of substitute replacement parts that do not have the same safety characteristics as specified in the parts list may create shock, fire, or other hazards.

Capacitor Temperature Markings

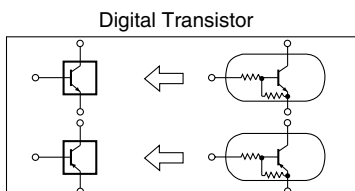
Mark	Capacity change rate	Standard temperature	Temperature range
(B)	±10%	20°C	-25~+85°C
(F)	+30 - 80%	20°C	-25~+85°C
(SR)	±15%	20°C	-25~+85°C
(Z)	+30 - 80%	20°C	-10~+70°C

Capacitors and transistors are represented by the following symbols.

CBA Symbols



Schematic Diagram Symbols



Notes:

- Do not use the part number shown on these drawings for ordering. The correct part number is shown in the parts list, and may be slightly different or amended since these drawings were prepared.
- All voltages are DC voltages unless otherwise specified.

Values in schematic diagrams

The values, dielectric strength (power capacitance) and tolerances of the resistors (excluding variable resistors) and capacitors are indicated in the schematic diagrams using abbreviations.

[Resistors]

Item	Indication
Value	No indication.....Ω K.....kΩ M.....MΩ
Power capacitance	No indication.....1/4W,1/6W All capacitances other than the above are indicated in schematic diagrams.

[Capacitors]

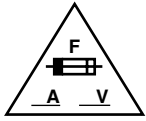
Item	Indication
Value	No indication.....μF P.....pF
Dielectric strength	No indication.....50V All dielectric strengths other than 50V are indicated in schematic diagrams.

[Coils]

Item	Indication
Value	μ.....μH m.....mH

LIST OF CAUTION, NOTES, AND SYMBOLS USED IN THE SCHEMATIC DIAGRAMS ON THE FOLLOWING PAGES:

1. CAUTION:



FOR CONTINUED PROTECTION AGAINST FIRE HAZARD, REPLACE ONLY WITH THE SAME TYPE FUSE.
 ATTENTION: POUR UNE PROTECTION CONTINUE LES RISQUES D'INCELE N'UTILISER QUE DES FUSIBLE DE MEMO TYPE.
 RISK OF FIRE-REPLACE FUSE AS MARKED.



This symbol means fast operating fuse.
 Ce symbole représente un fusible à fusion rapide.

2. CAUTION:

Fixed Voltage (or Auto voltage selectable) power supply circuit is used in this unit.
 If Main Fuse (F1001) is blown, first check to see that all components in the power supply circuit are not defective before you connect the AC plug to the AC power supply. Otherwise it may cause some components in the power supply circuit to fail.

3. Note:

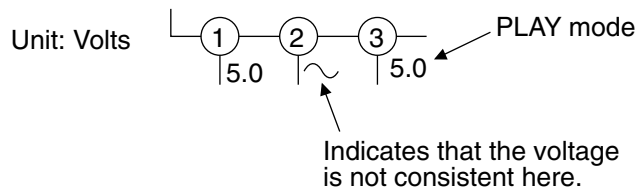
- (1) Do not use the part number shown on the drawings for ordering. The correct part number is shown in the parts list, and may be slightly different or amended since the drawings were prepared.
- (2) To maintain original function and reliability of repaired units, use only original replacement parts which are listed with their part numbers in the parts list section of the service manual.

4. Wire Connectors

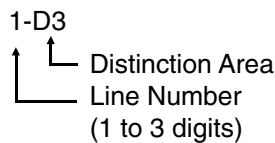
- (1) Prefix symbol "CN" means "connector" (can disconnect and reconnect).
- (2) Prefix symbol "CL" means "wire-solder holes of the PCB" (wire is soldered directly).

5. Mode: SP

6. Voltage indications for PLAY mode on the schematics are as shown below:

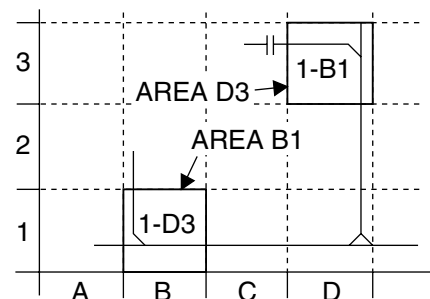


7. How to read converged lines



Examples:

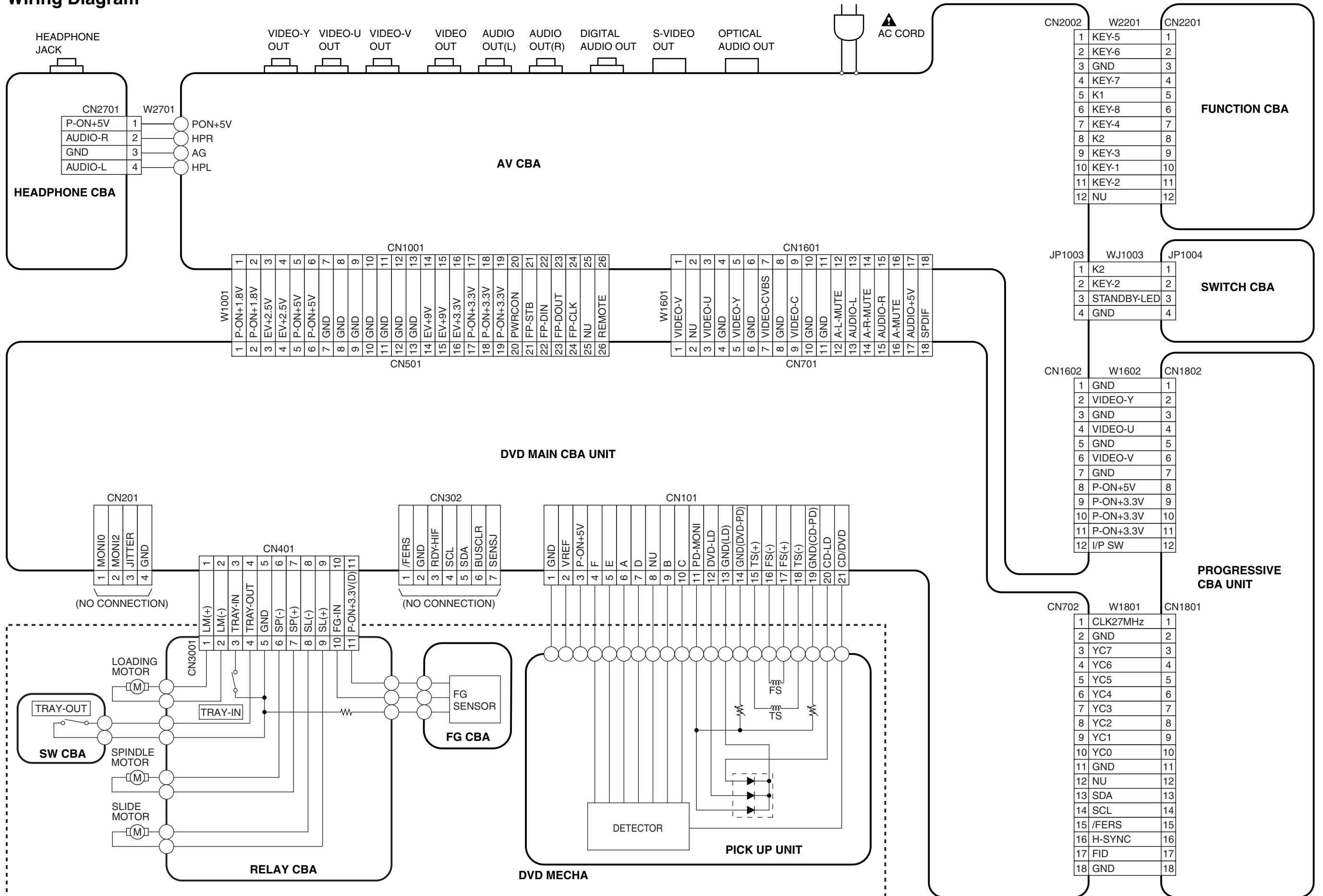
1. "1-D3" means that line number "1" goes to area "D3".
2. "1-B1" means that line number "1" goes to area "B1".



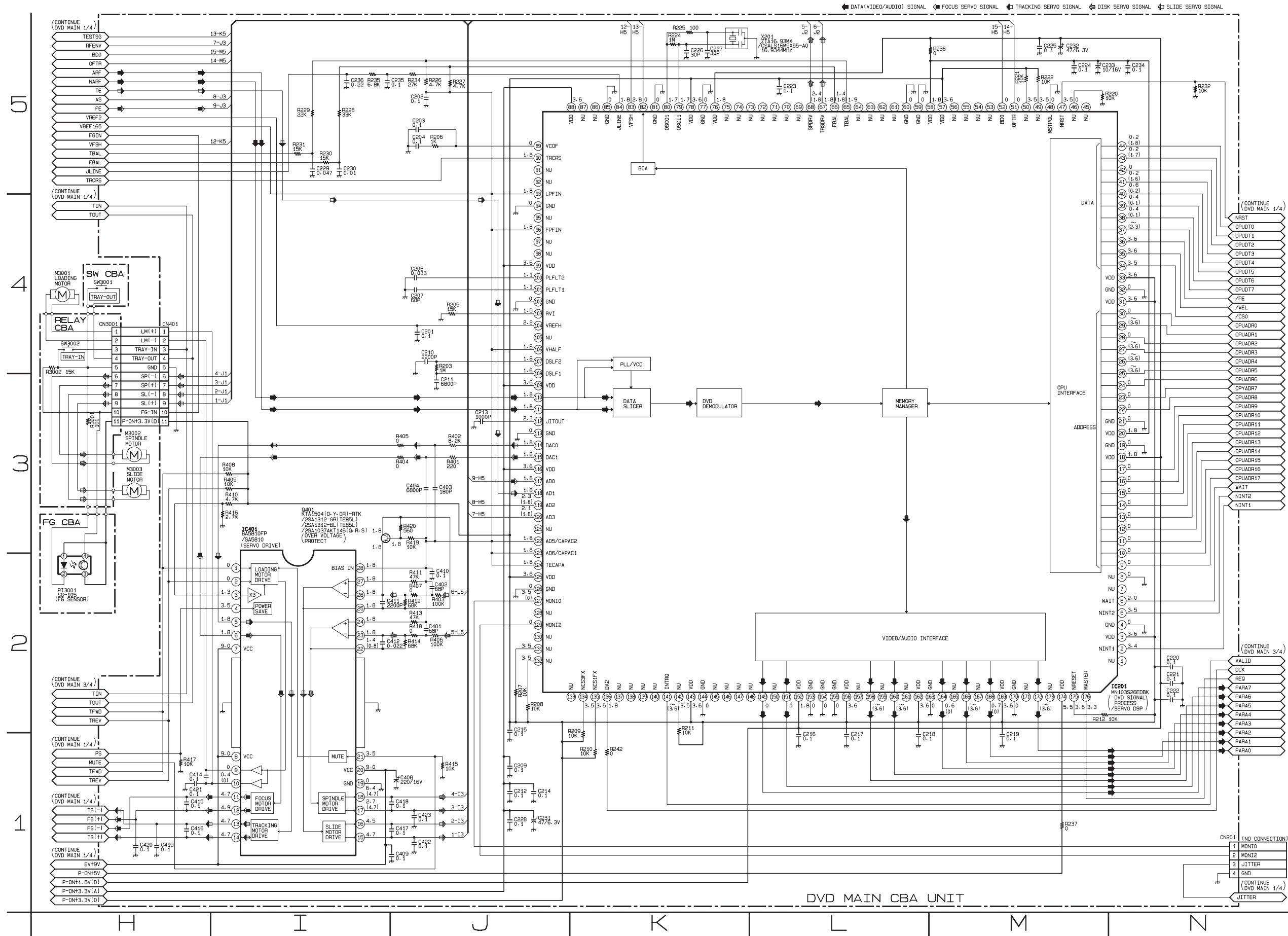
8. Test Point Information

- ⊙ : Indicates a test point with a jumper wire across a hole in the PCB.
- : Used to indicate a test point with a component lead on foil side.
- ⊘ : Used to indicate a test point with no test pin.
- : Used to indicate a test point with a test pin.

Wiring Diagram



DVD Main 2/4 Schematic Diagram

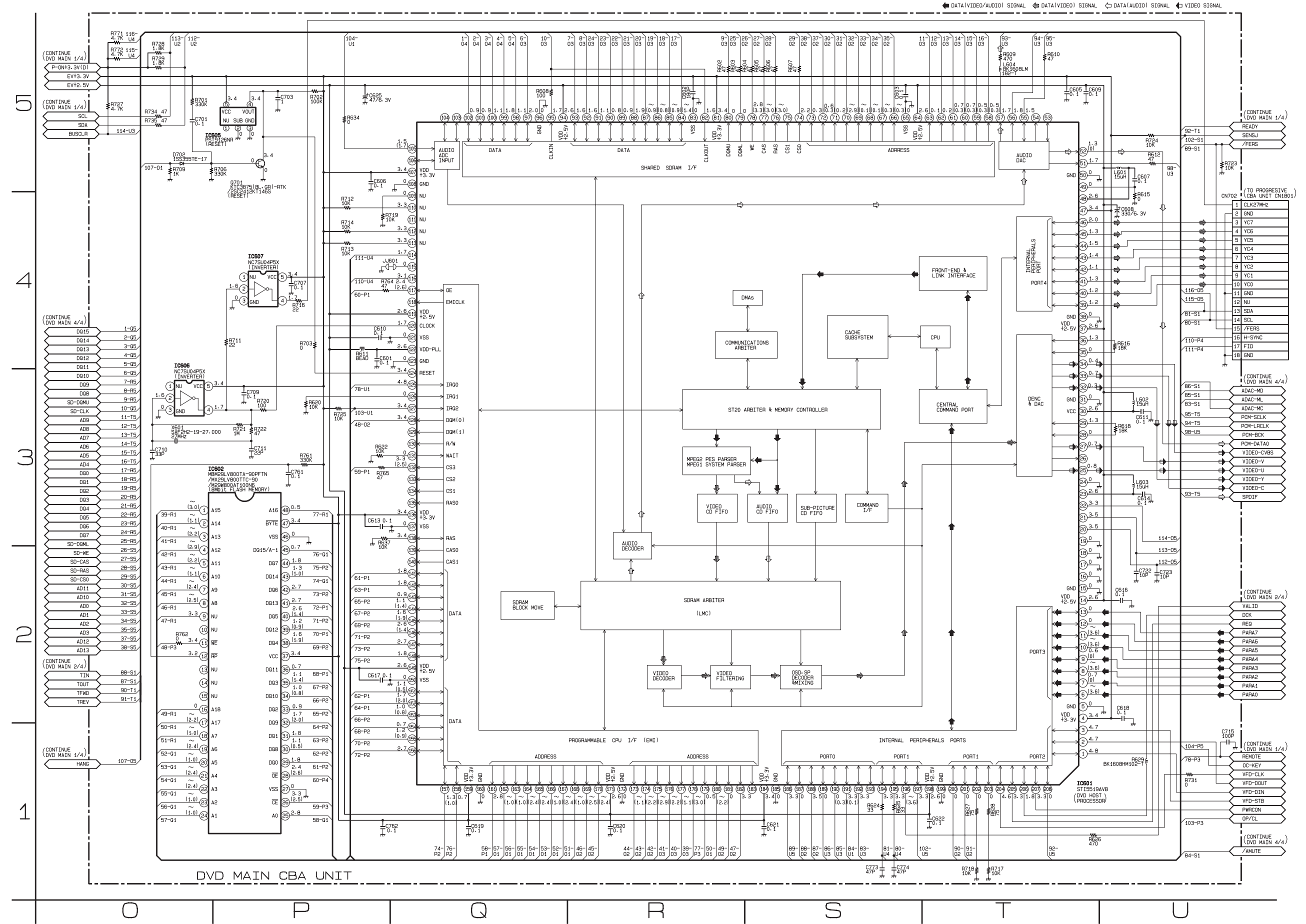


CONN1 (NO CONNECTION)

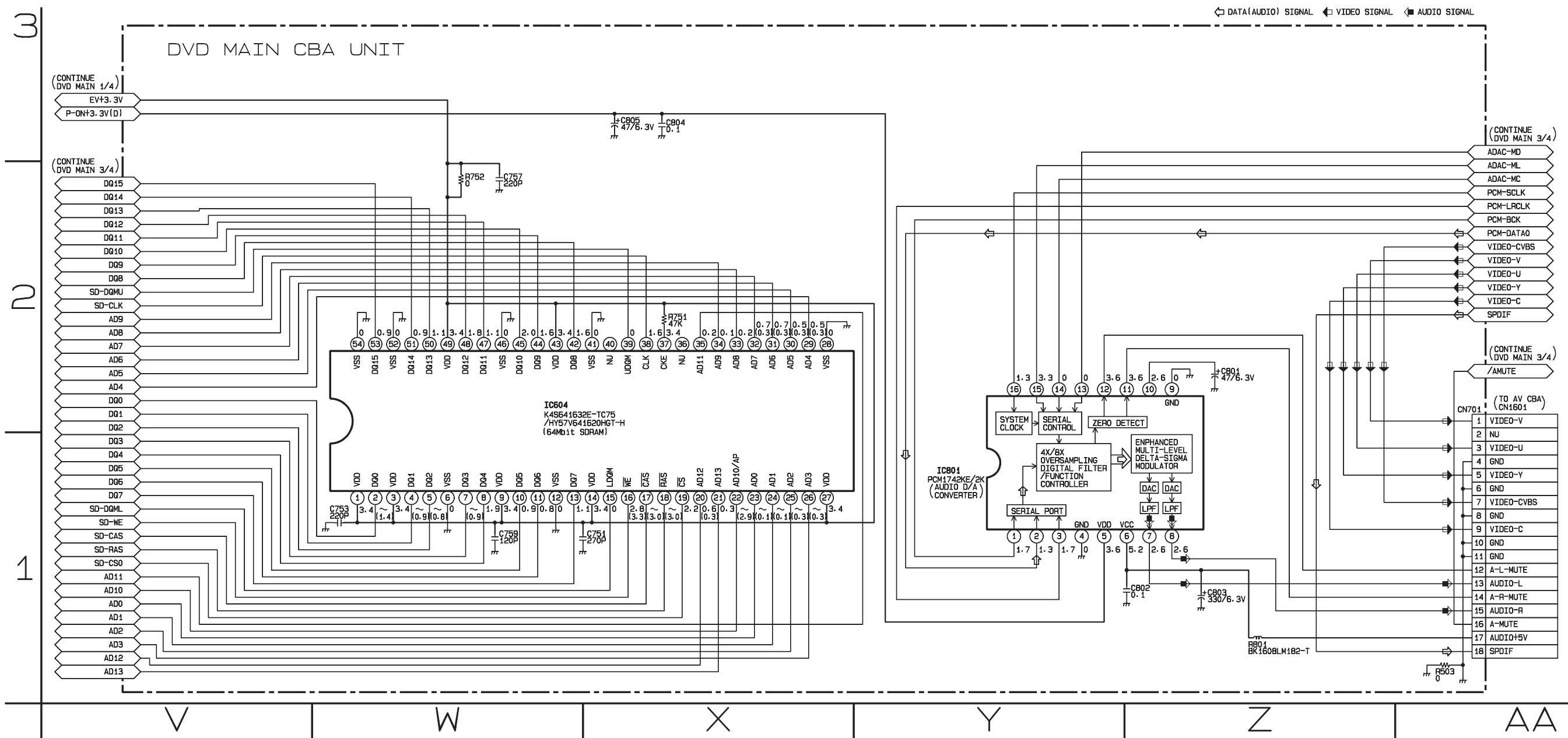
1	MONIO
2	MONI2
3	JITTER
4	GND

(CONTINUE DVD MAIN 1/4)
JITTER

DVD Main 3/4 Schematic Diagram



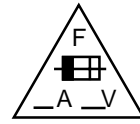
DVD Main 4/4 Schematic Diagram



AV 1/3 Schematic Diagram

CAUTION !

Fixed voltage power supply circuit is used in this unit.
If Main Fuse (F1001) is blown, check to see that all components in the power supply circuit are not defective before you connect the AC plug to the AC power supply. Otherwise it may cause some components in the power supply circuit to fail.



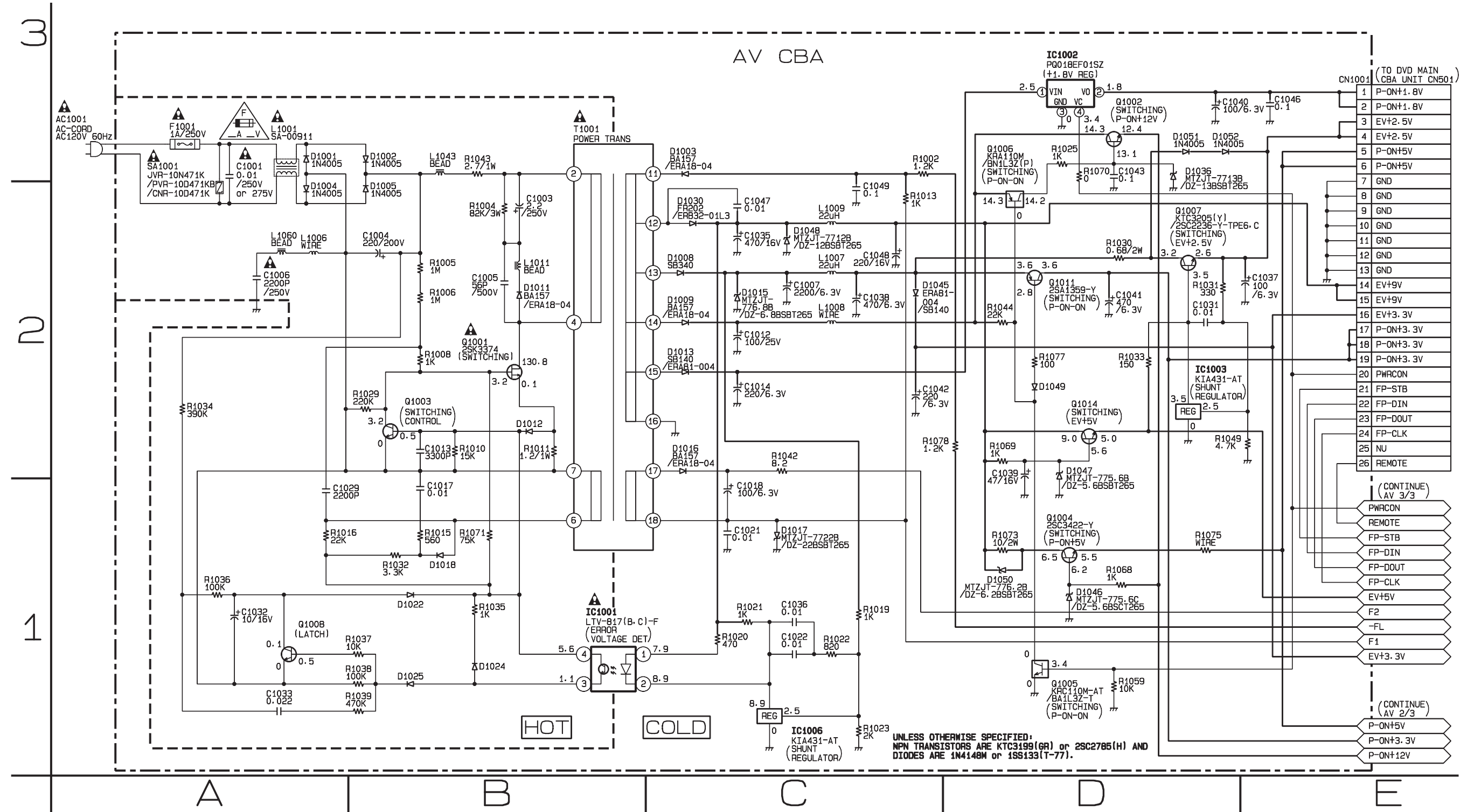
CAUTION

FOR CONTINUED PROTECTION AGAINST FIRE HAZARD,
REPLACE ONLY WITH THE SAME TYPE FUSE.
ATTENTION : POUR UNE PROTECTION CONTINUE LES RISQUES
D'INCELE N'UTILISER QUE DES FUSIBLE DE MEMO TYPE.
RISK OF FIRE-REPLACE FUSE AS MARKED.

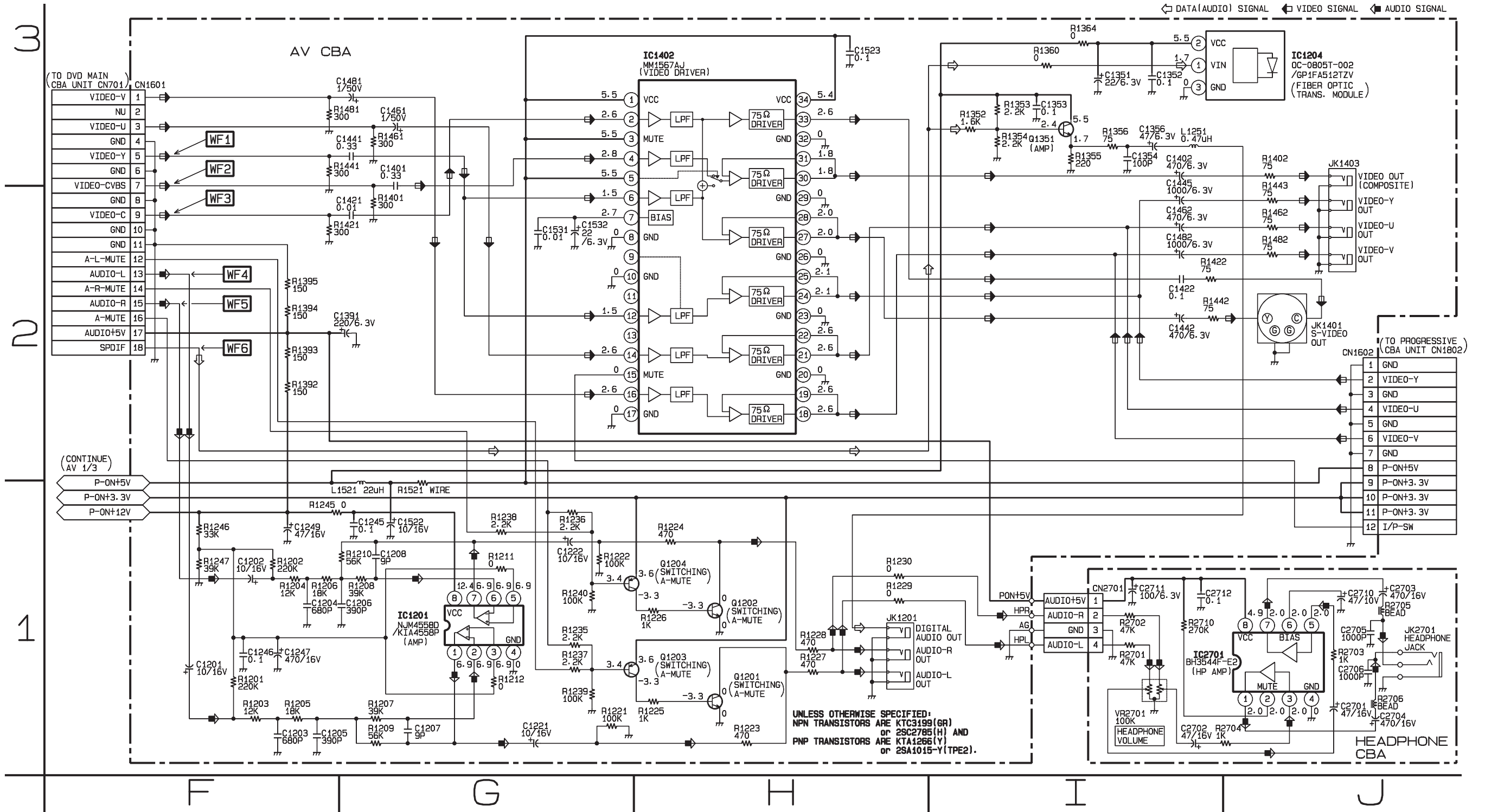
"This symbol means fast operating fuse."
"Ce symbole représente un fusible à fusion rapide."

NOTE :

The voltage for parts in hot circuit is measured using hot GND as a common terminal.

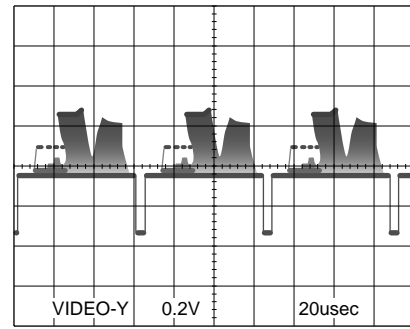


AV 2/3 & Headphone Schematic Diagram

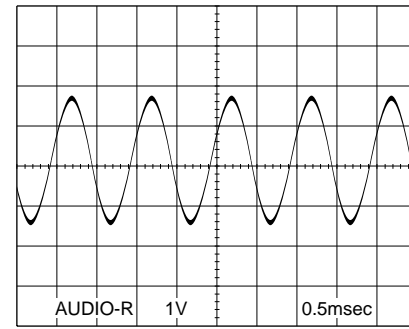


WAVEFORM

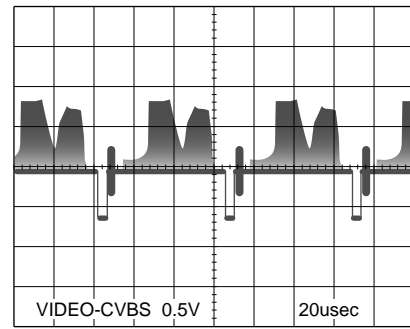
WF1 Pin 5 of CN1601



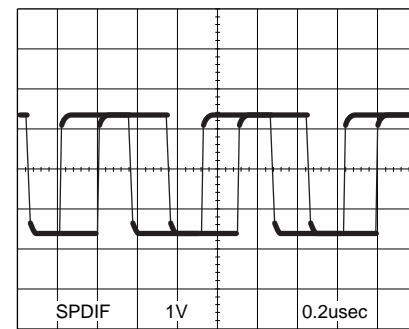
WF5 Pin 15 of CN1601



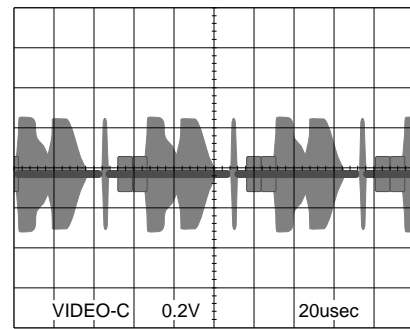
WF2 Pin 7 of CN1601



WF6 Pin 18 of CN1601



WF3 Pin 9 of CN1601



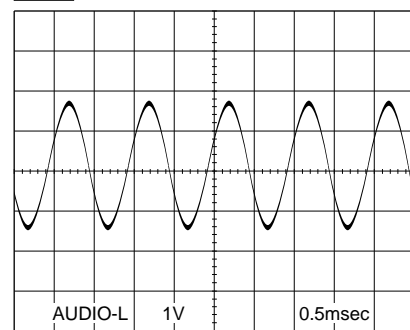
NOTE:

Input

CD: 1kHz PLAY
(WF4~WF6)

DVD: POWER ON (STOP) MODE
(WF1~WF3)

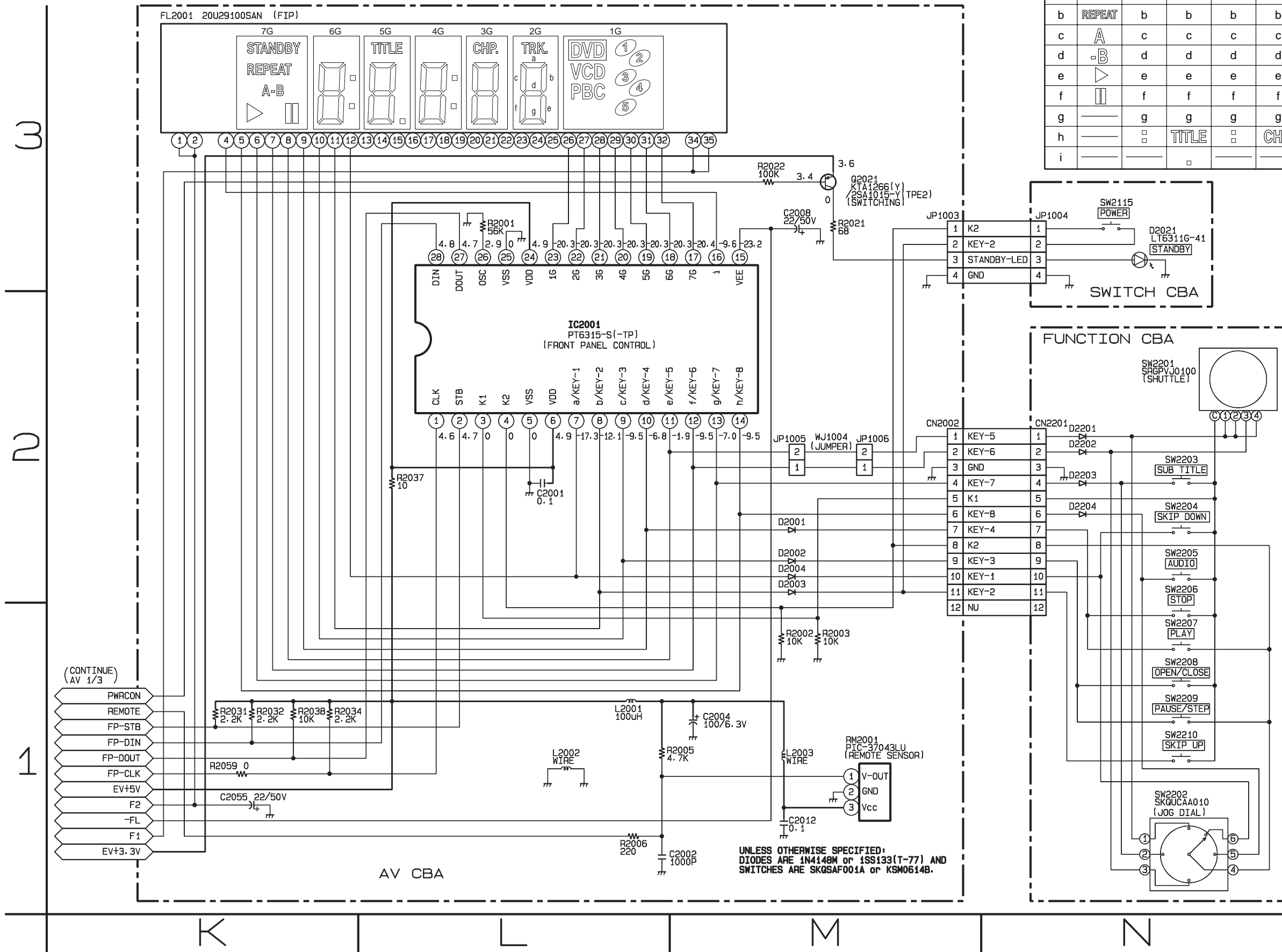
WF4 Pin 13 of CN1601



AV 3/3, Function & Switch Schematic Diagram

FL2001 MATRIX CHART

	7G	6G	5G	4G	3G	2G	1G
a	STANDBY	a	a	a	a	a	①
b	REPEAT	b	b	b	b	b	②
c	A	c	c	c	c	c	③
d	-B	d	d	d	d	d	④
e	▶	e	e	e	e	e	⑤
f	⏸	f	f	f	f	f	DVD
g	—	g	g	g	g	g	PBC
h	—	⏮	TITLE	⏭	CHP.	TRK.	CD
i	—	—	□	—	—	—	V



3

N

1

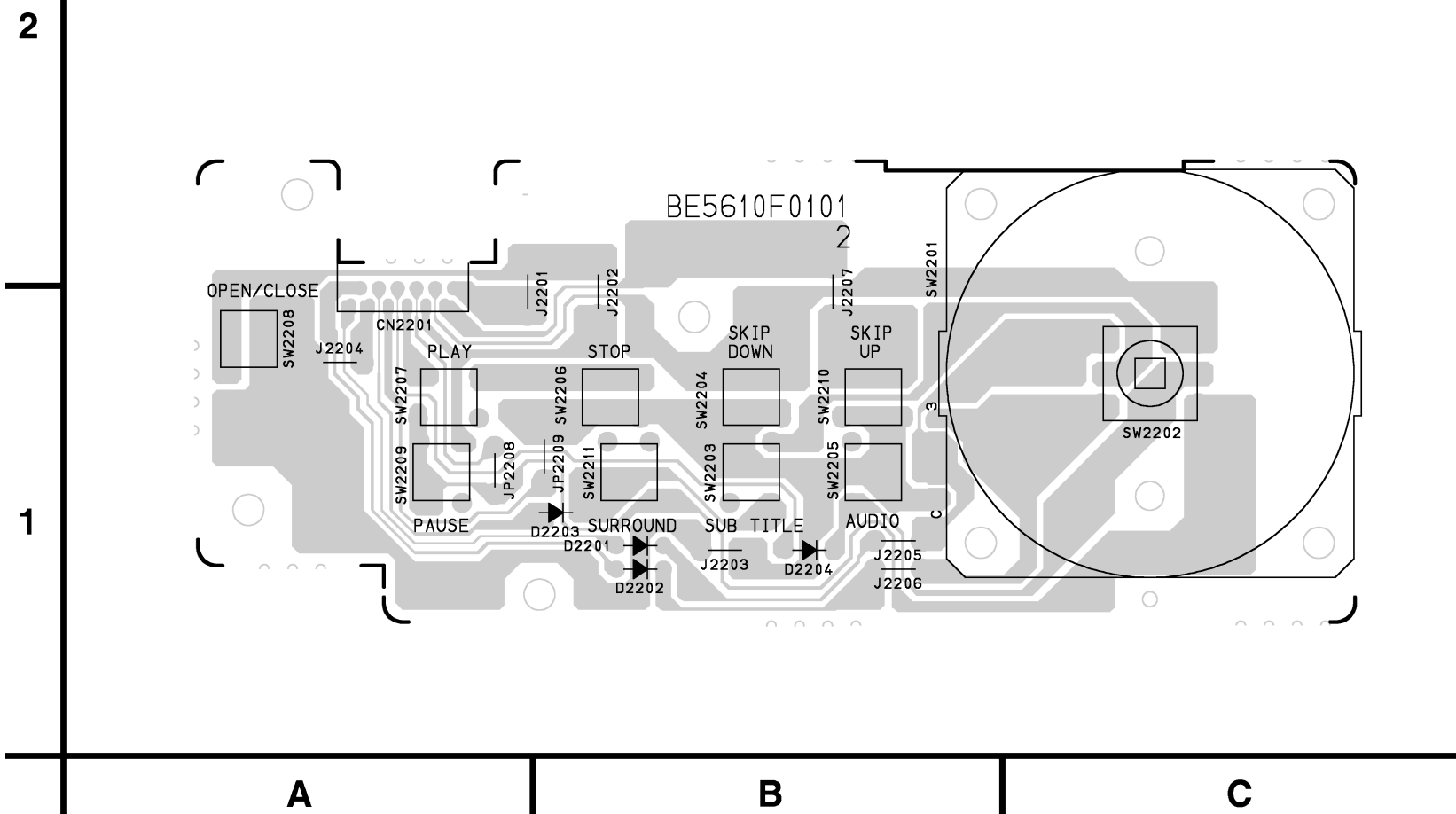
K

L

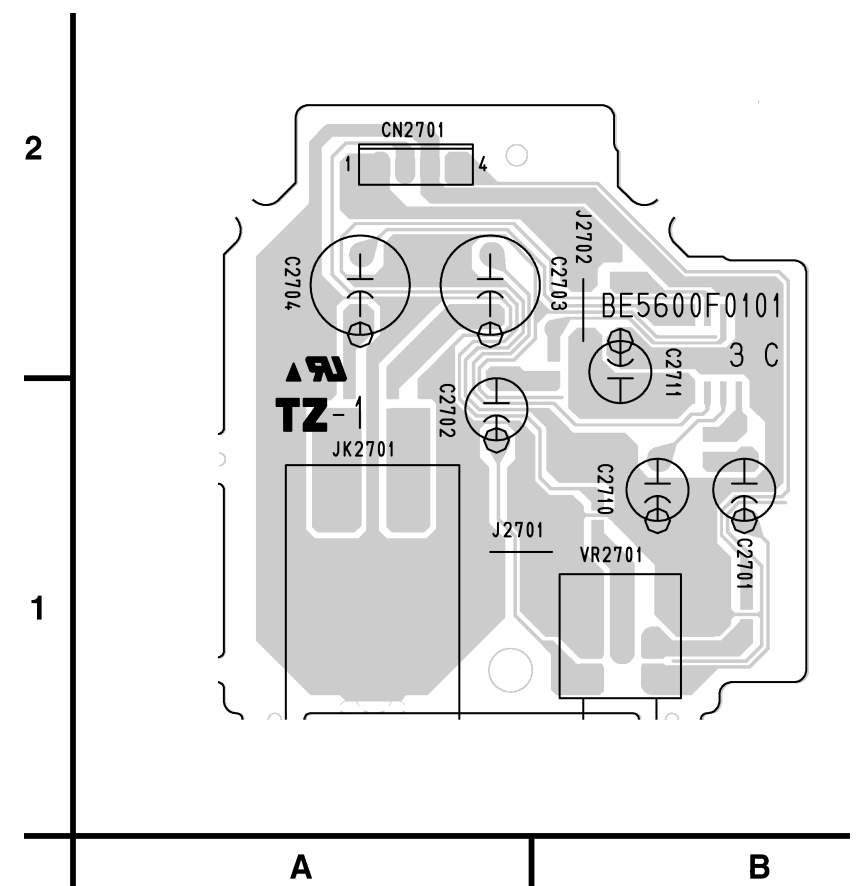
M

N

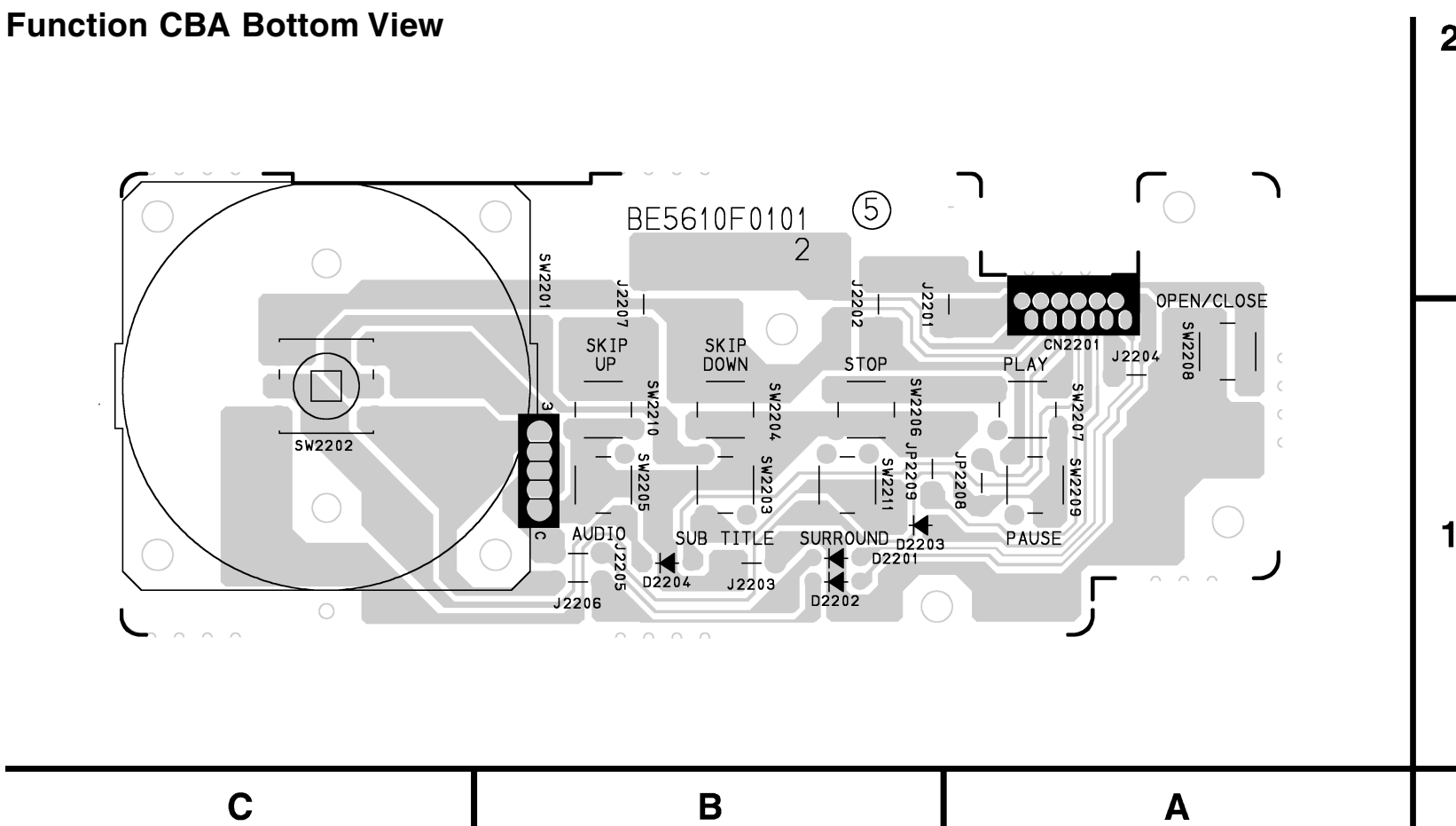
Function CBA Top View



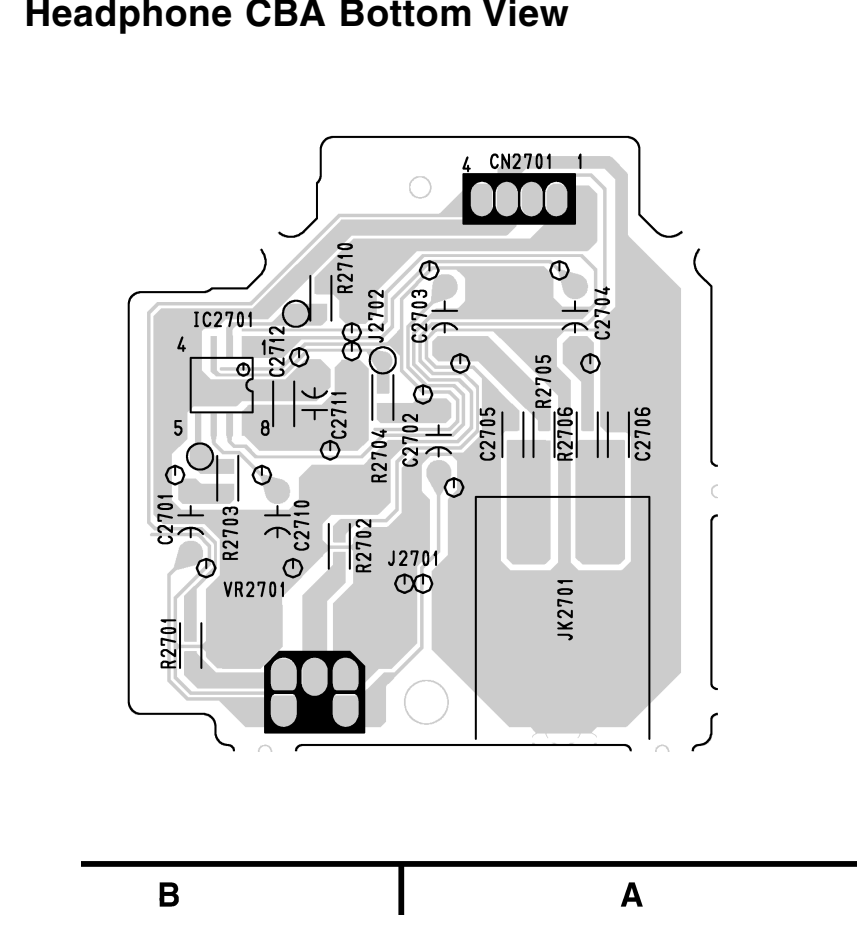
Headphone CBA Top View



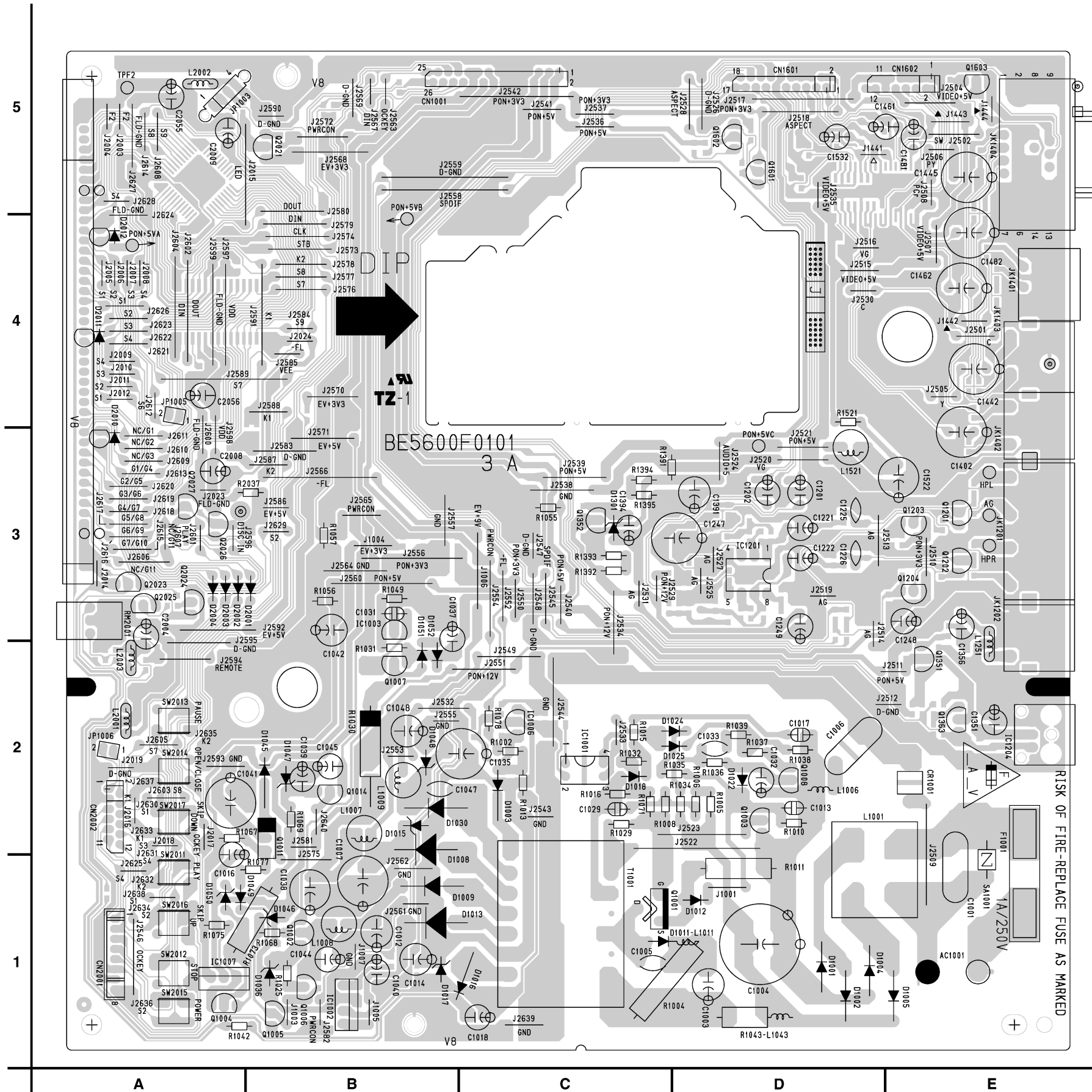
Function CBA Bottom View



Headphone CBA Bottom View

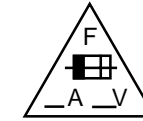


AV CBA Top View



CAUTION !

Switching power supply circuit is used in this unit.
If Main Fuse (F1001) is blown, check to see that all components in the power supply circuit are not defective before you connect the AC plug to the AC power supply. Otherwise it may cause some components in the power supply circuit to fail.



CAUTION

FOR CONTINUED PROTECTION AGAINST FIRE HAZARD,
REPLACE ONLY WITH THE SAME TYPE FUSE.
ATTENTION : POUR UNE PROTECTION CONTINUE LES RISQUES
D'INCELE N'UTILISER QUE DES FUSIBLE DE MEMO TYPE.
RISK OF FIRE-REPLACE FUSE AS MARKED.

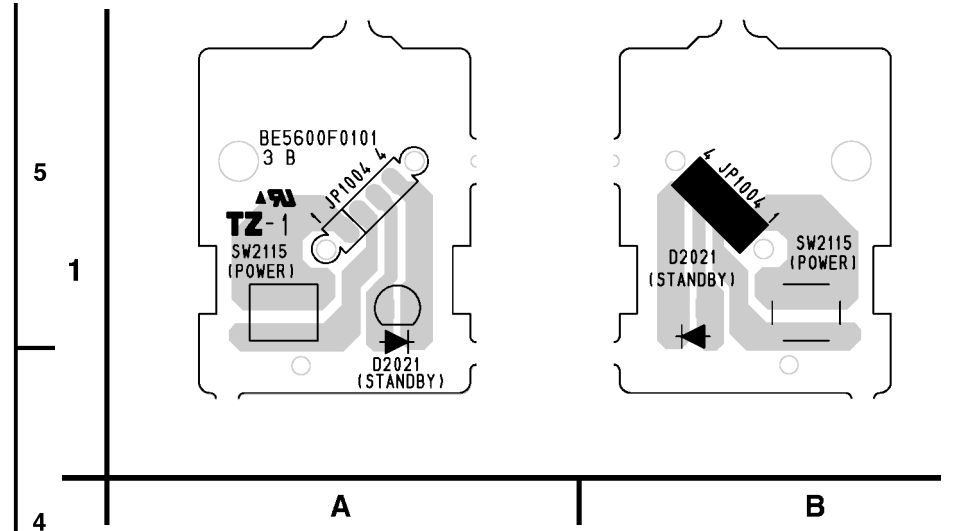
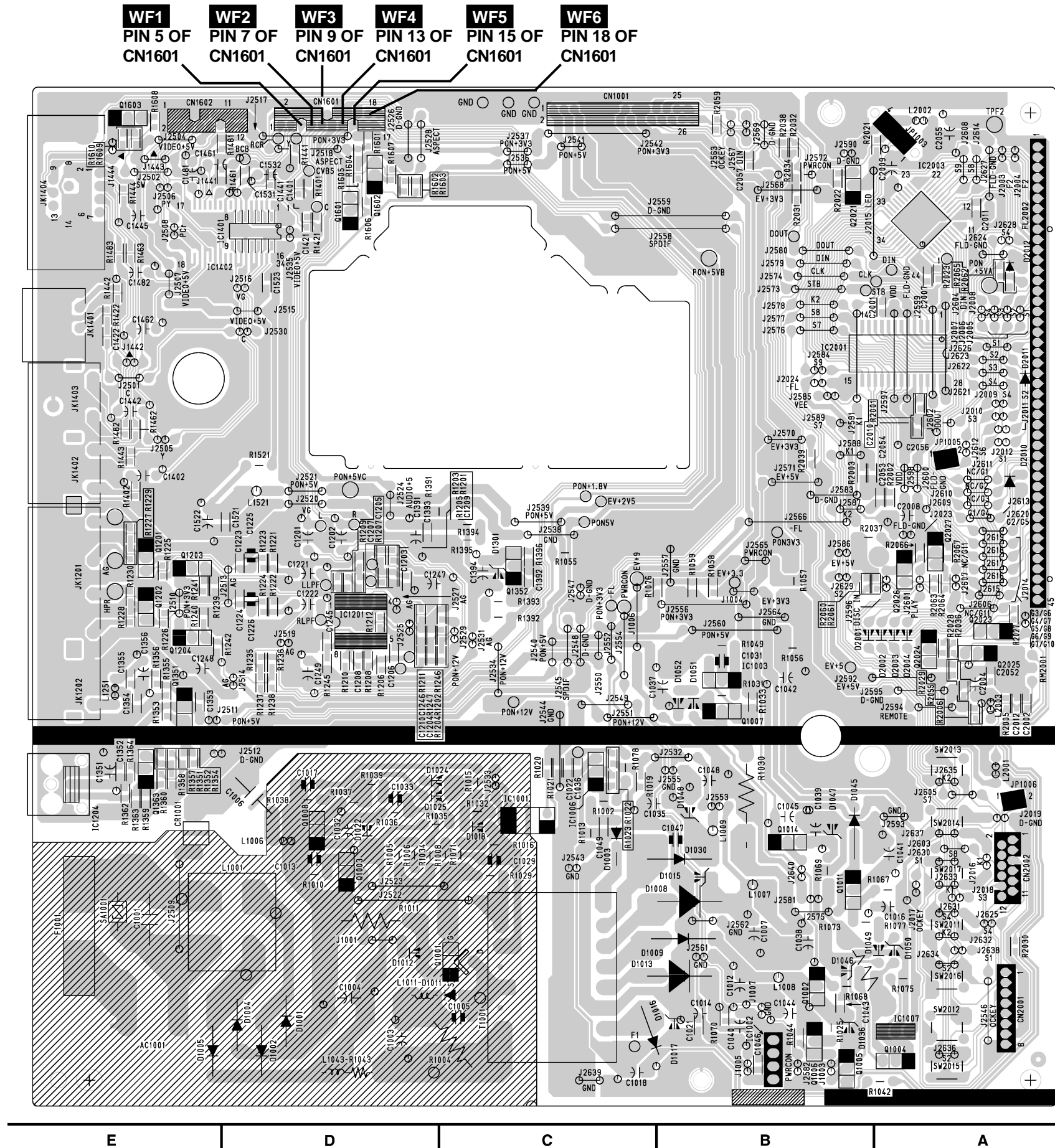
"This symbol means fast operating fuse."

"Ce symbole représente un fusible à fusion rapide."

BECAUSE A HOT CHASSIS GROUND IS PRESENT IN THE POWER SUPPLY CIRCUIT, AN ISOLATION TRANSFORMER MUST BE USED. ALSO, IN ORDER TO HAVE THE ABILITY TO INCREASE THE INPUT SLOWLY, WHEN TROUBLESHOOTING THIS TYPE POWER SUPPLY CIRCUIT, A VARIABLE ISOLATION TRANSFORMER IS REQUIRED.


AV CBA Bottom View

Switch CBA Top View Switch CBA Bottom View



CAUTION !
 Switching power supply circuit is used in this unit.
 If Main Fuse (F1001) is blown, check to see that all components in the power supply circuit are not defective before you connect the AC plug to the AC power supply. Otherwise it may cause some components in the power supply circuit to fail.

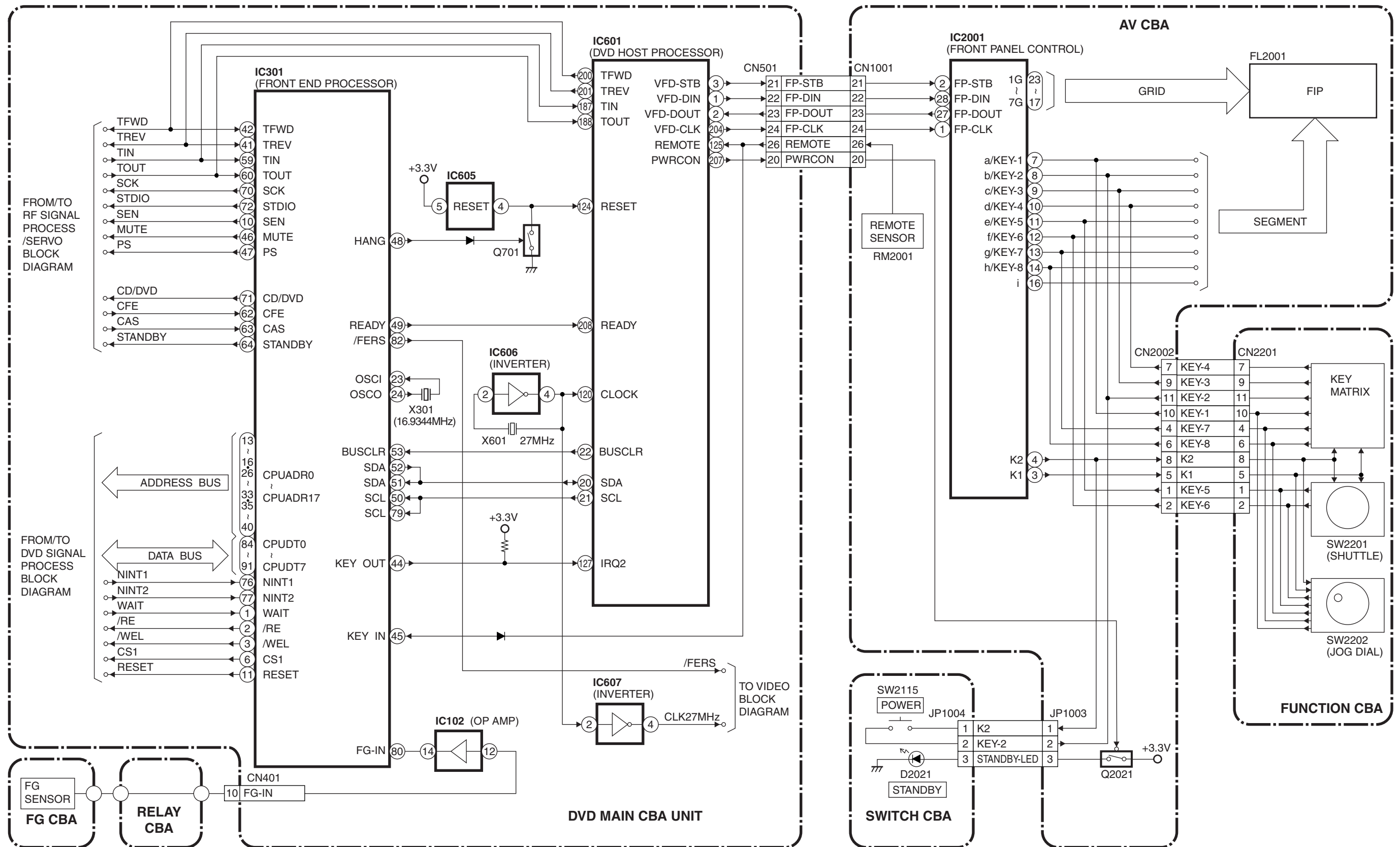
CAUTION
 FOR CONTINUED PROTECTION AGAINST FIRE HAZARD, REPLACE ONLY WITH THE SAME TYPE FUSE.
 ATTENTION : POUR UNE PROTECTION CONTINUE LES RISQUES D'INCELE N'UTILISER QUE DES FUSIBLE DE MEMO TYPE.
RISK OF FIRE-REPLACE FUSE AS MARKED.

 "This symbol means fast operating fuse."
 "Ce symbole représente un fusible à fusion rapide."

BECAUSE A HOT CHASSIS GROUND IS PRESENT IN THE POWER SUPPLY CIRCUIT, AN ISOLATION TRANSFORMER MUST BE USED. ALSO, IN ORDER TO HAVE THE ABILITY TO INCREASE THE INPUT SLOWLY, WHEN TROUBLESHOOTING THIS TYPE POWER SUPPLY CIRCUIT, A VARIABLE ISOLATION TRANSFORMER IS REQUIRED.

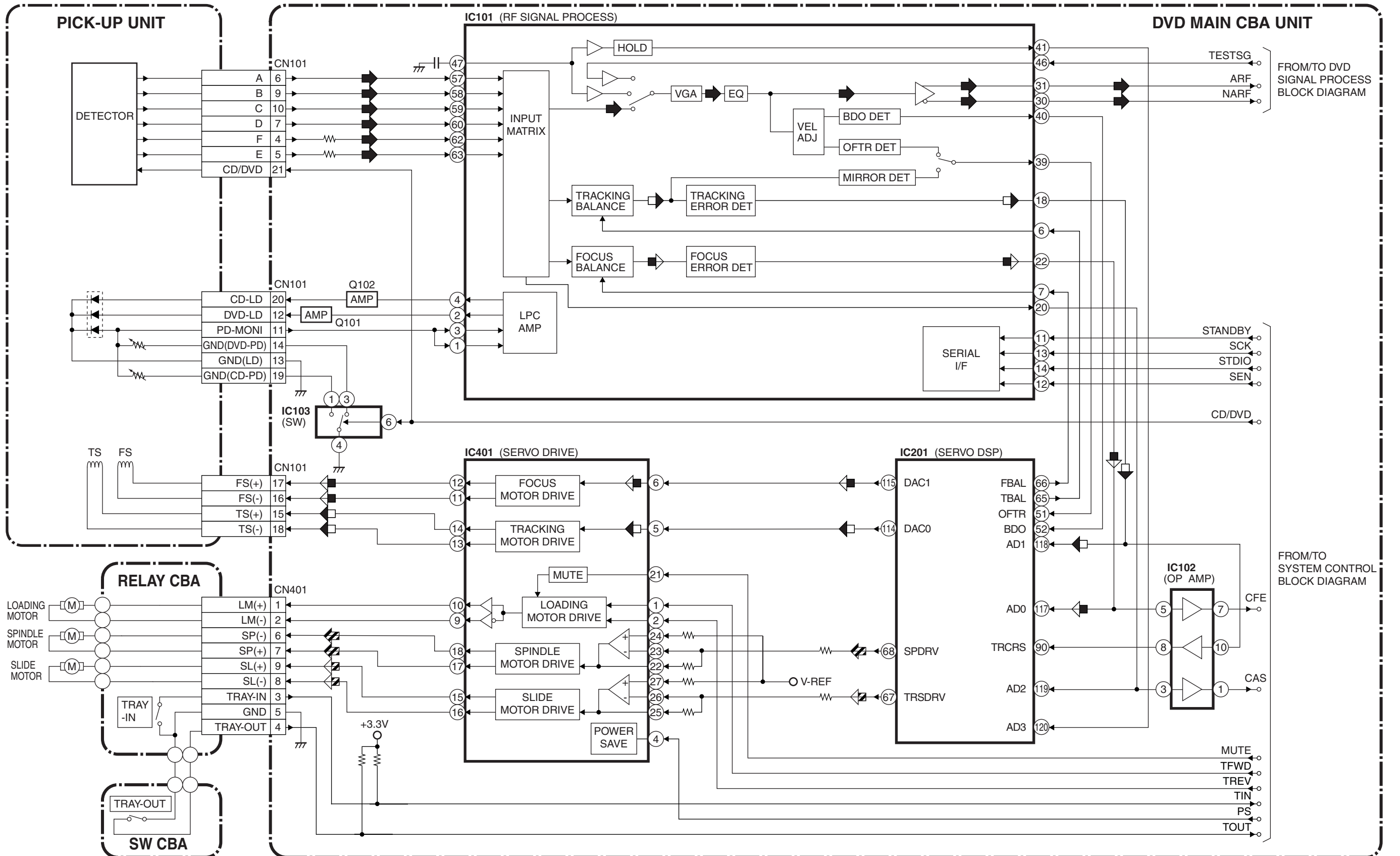
BLOCK DIAGRAMS

System Control Block Diagram

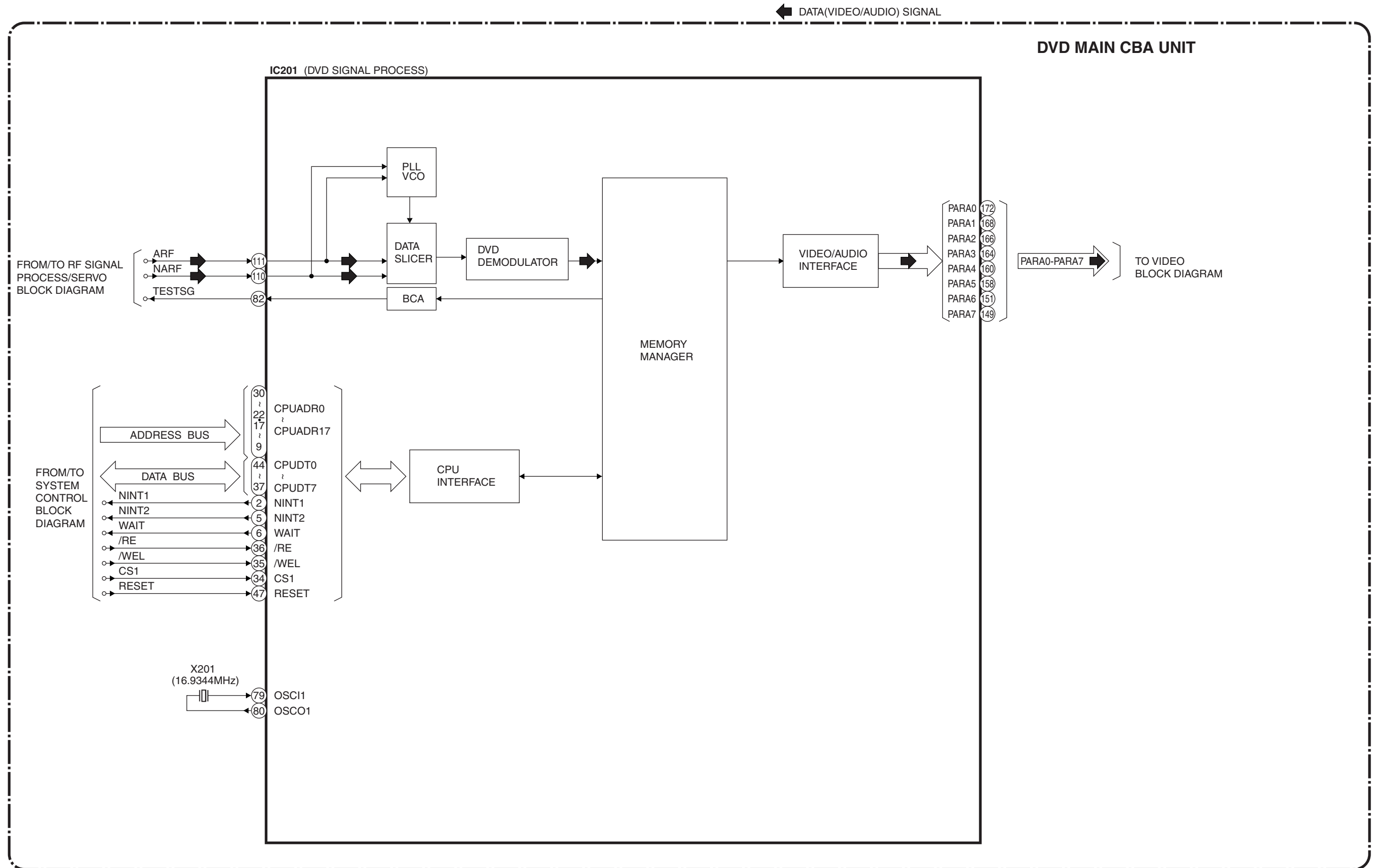


RF Signal Process/Servo Block Diagram

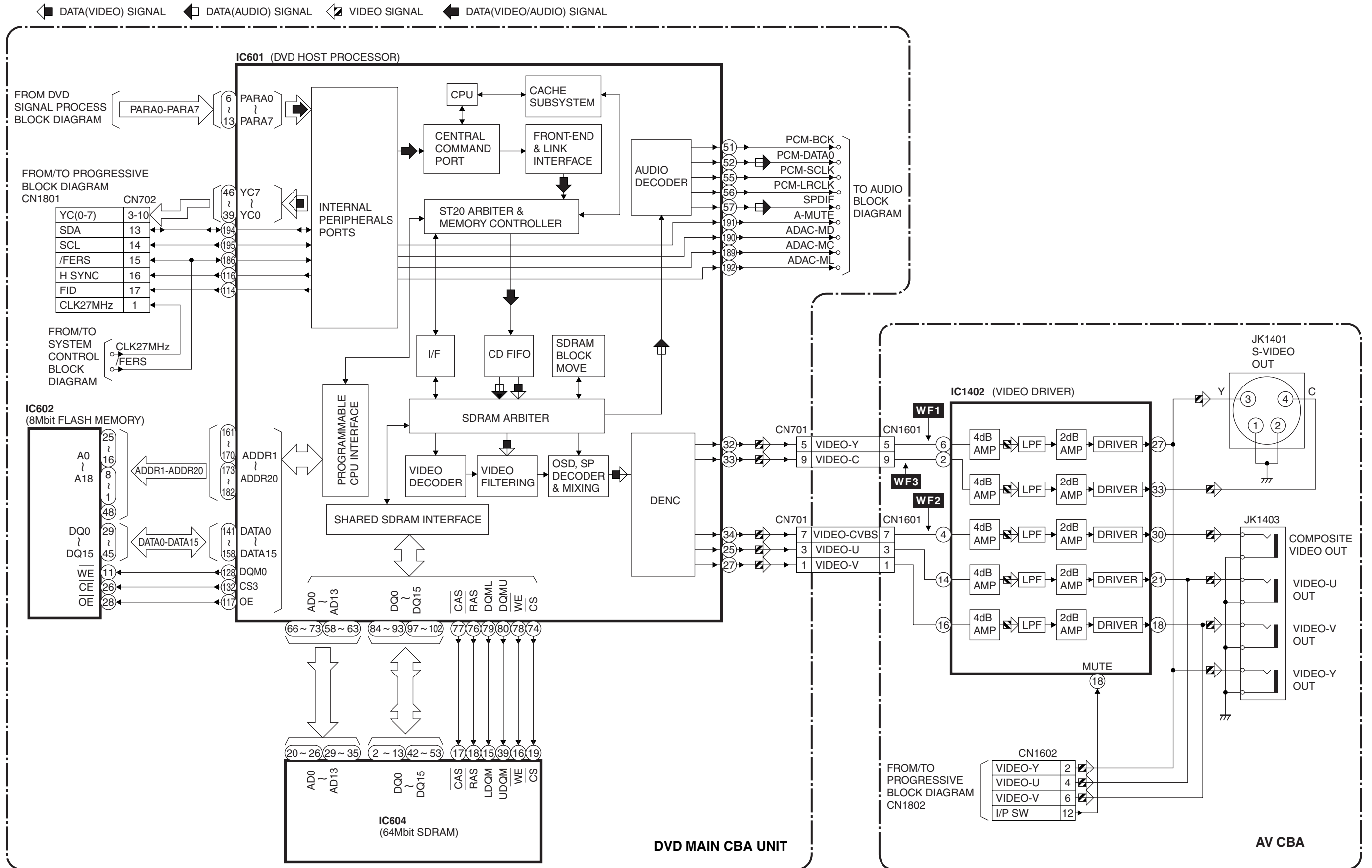
DATA(VIDEO/AUDIO) SIGNAL
 FOCUS SERVO SIGNAL
 TRACKING SERVO SIGNAL
 SLIDE SERVO SIGNAL
 DISK SERVO SIGNAL



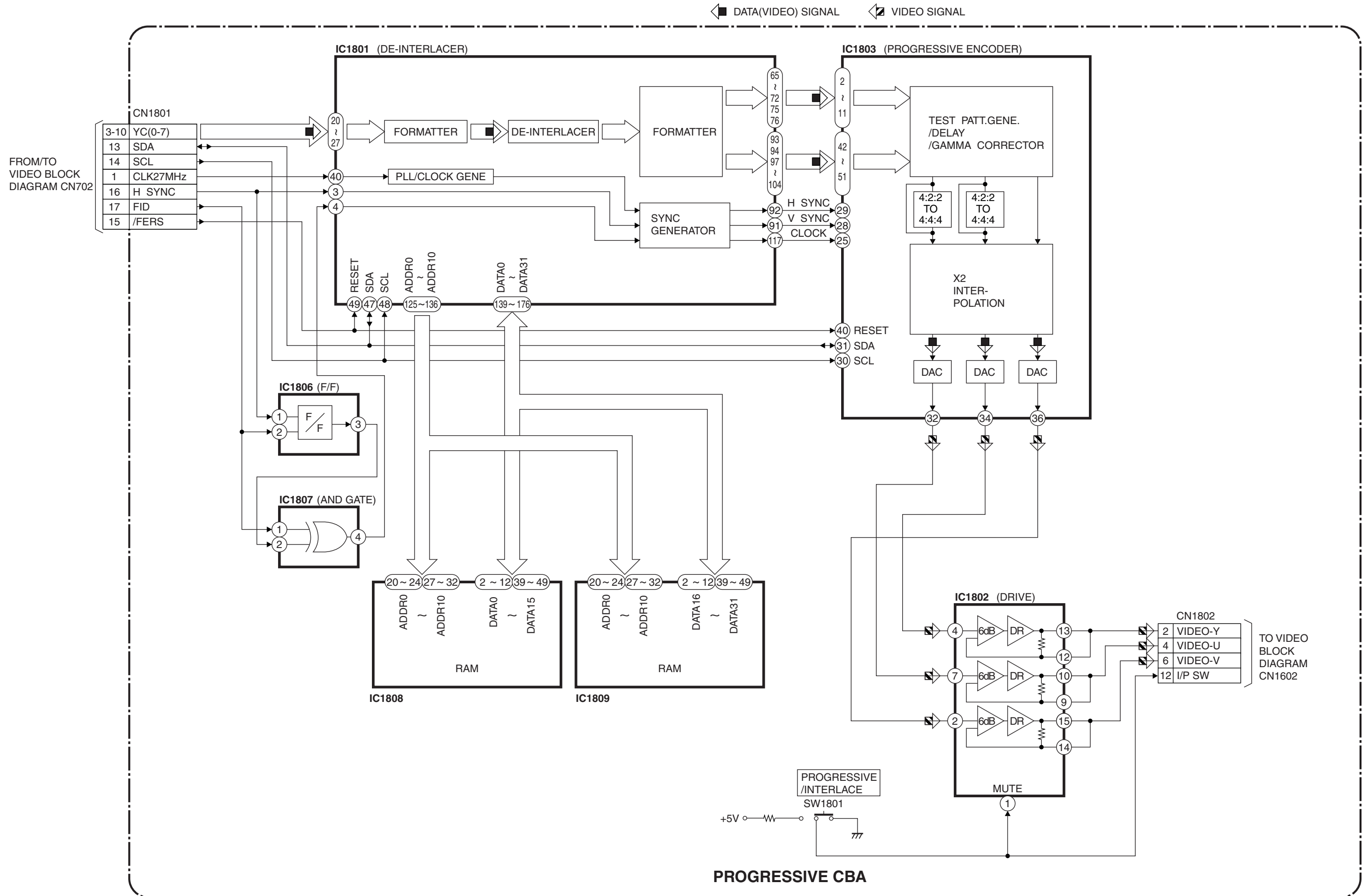
DVD Signal Process Block Diagram



Video Block Diagram

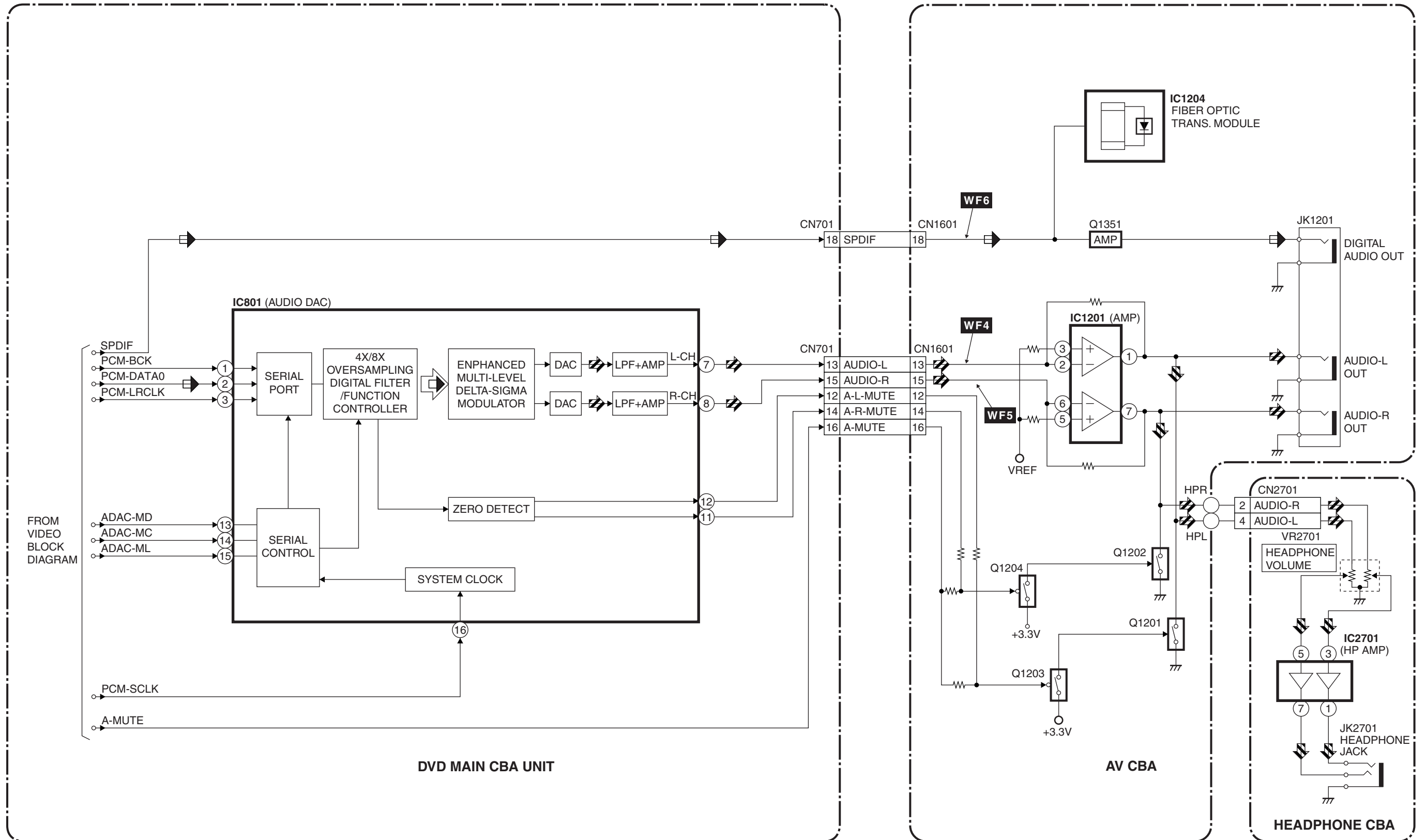


Progressive Block Diagram



Audio Block Diagram

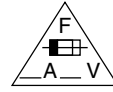
◀ DATA(AUDIO) SIGNAL ⚡ AUDIO SIGNAL



Power Supply Block Diagram

CAUTION !

Switching power supply circuit is used in this unit.
If Main Fuse (F1001) is blown, check to see that all components in the power supply circuit are not defective before you connect the AC plug to the AC power supply. Otherwise it may cause some components in the power supply circuit to fail.



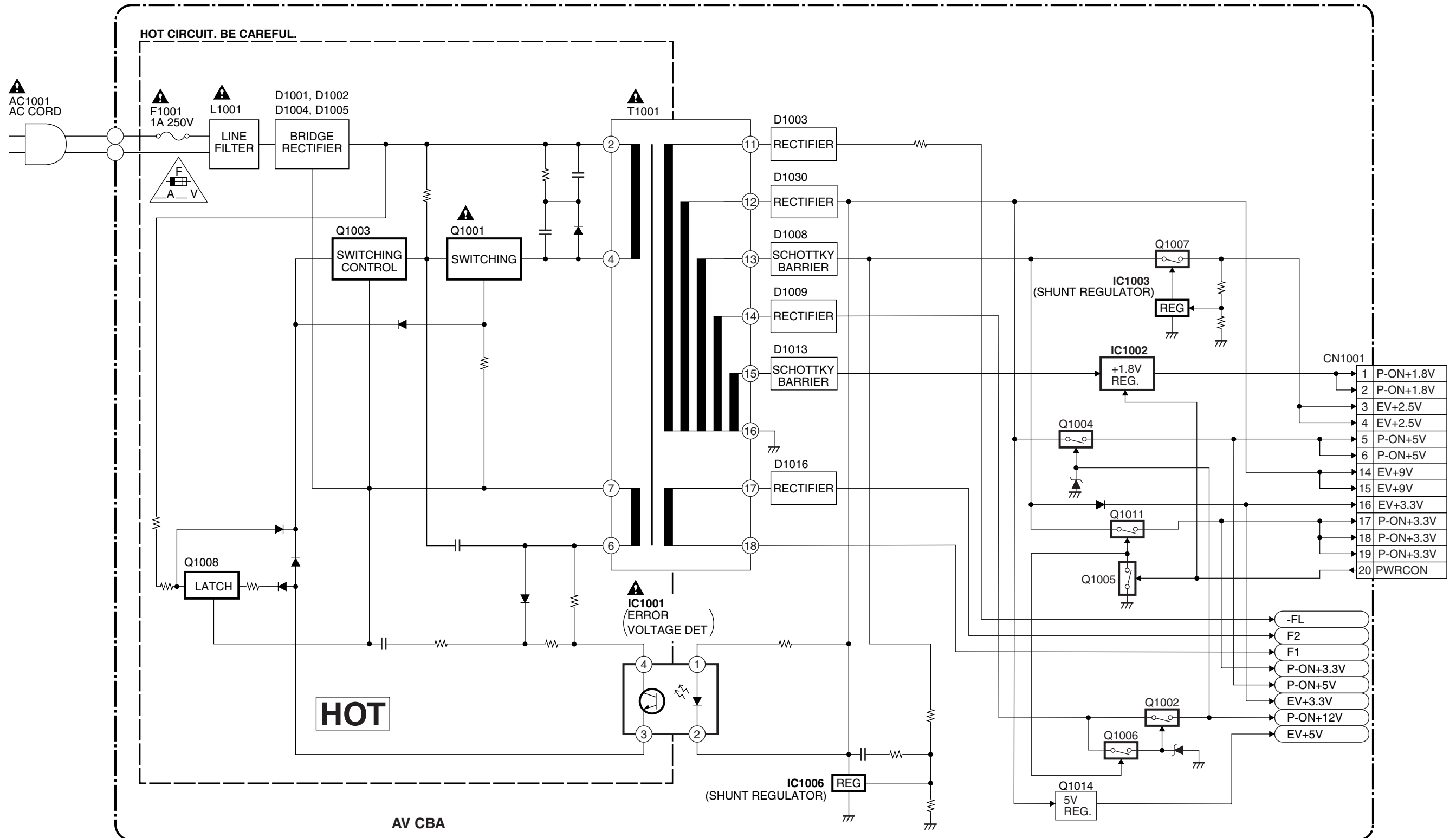
CAUTION

FOR CONTINUED PROTECTION AGAINST FIRE HAZARD,
REPLACE ONLY WITH THE SAME TYPE FUSE.
ATTENTION : POUR UNE PROTECTION CONTINUE LES RISQUES
D'INCELE N'UTILISER QUE DES FUSIBLE DE MEMO TYPE.
RISK OF FIRE -REPLACE FUSE AS MARKED.

"This symbol means fast operating fuse."
"Ce symbole représente un fusible à fusion rapide."

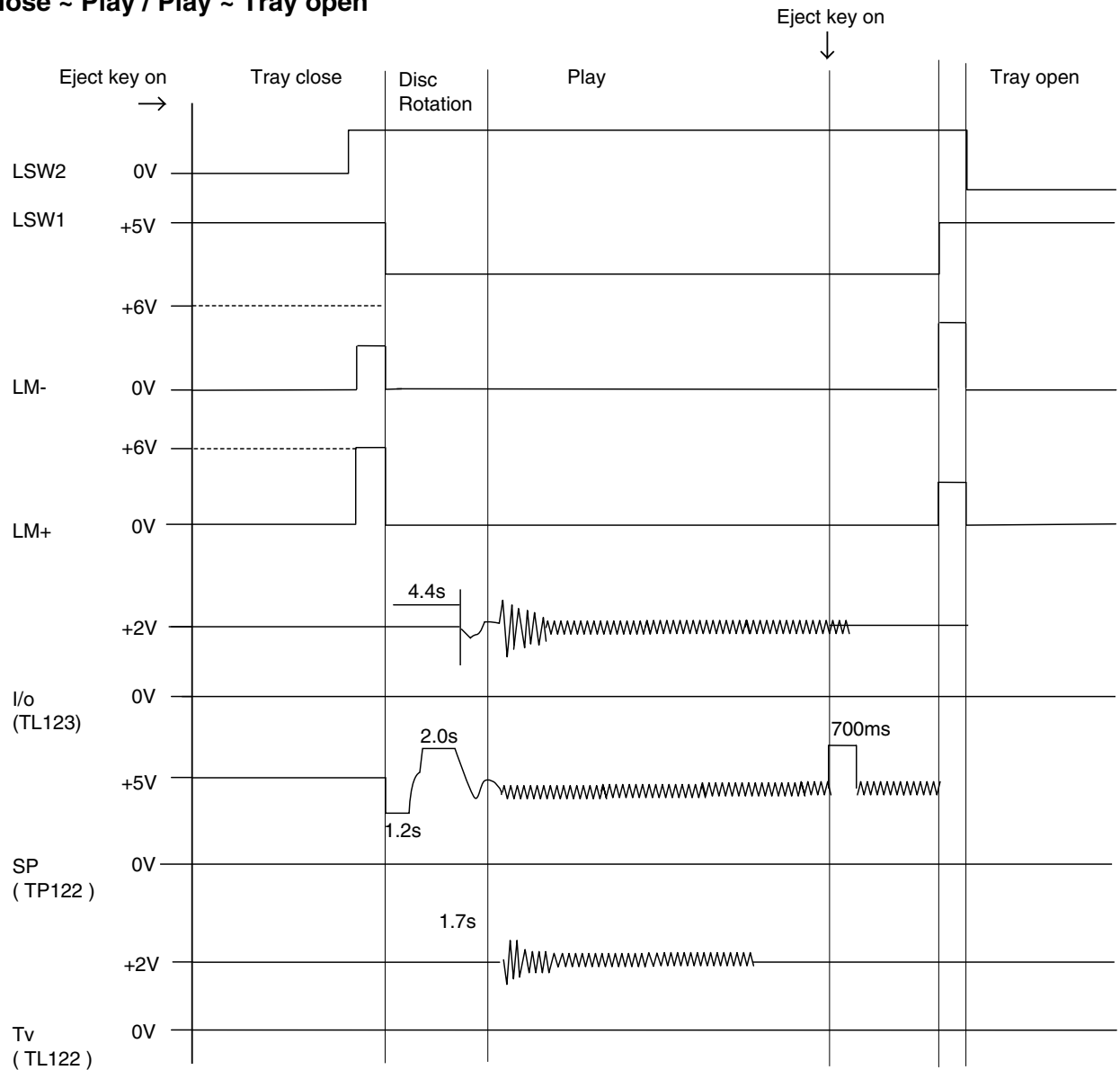
NOTE :

The voltage for parts in hot circuit is measured using hot GND as a common terminal.



SYSTEM CONTROL TIMING CHARTS

Tray close ~ Play / Play ~ Tray open

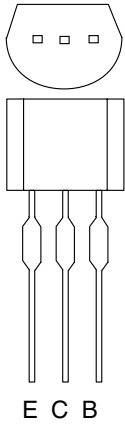


IC PIN FUNCTION DESCRIPTIONS

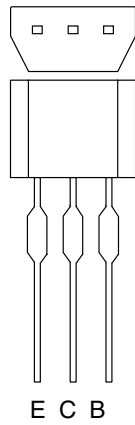
IC2001 [PT6315-S (-TP)]

Pin No.	In/Out	Signal Name	Name Function
1	In	CLK	Clock Input
2	In	STB	Serial Interface Strobe
3	In	K1	Key Data 1 Input
4	In	K2	Key Data 2 Input
5	-	VSS	GND
6	-	VDD	Power Supply
7	Out	a / Key-1	Segment Output / Key Source-1
8	Out	b / Key-2	Segment Output / Key Source-2
9	Out	c / Key-3	Segment Output / Key Source-3
10	Out	d / Key-4	Segment Output/ Key Source-4
11	Out	e / Key-5	Segment Output / Key Source-5
12	Out	f / Key-6	Segment Output / Key Source-6
13	Out	g / Key-7	Segment Output / Key Source-7
14	Out	h / Key-8	Segment Output/ Key Source-8
15	-	VEE	Pull Down Level
16	Out	i	Segment Output
17	Out	7G	Grid Output
18		6G	
19		5G	
20		4G	
21		3G	
22		2G	
23		1G	
24	-	VDD	Power Supply
25	-	VSS	GND
26	In	OSC	Oscillator Input
27	Out	DOUT	Serial Data Output
28	In	DIN	Serial Data Input

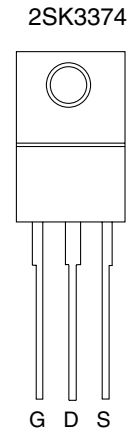
LEAD IDENTIFICATIONS



2SA1015-Y (TPE2)
KTA1266 (Y)
2SC2236-Y-TPE6,C

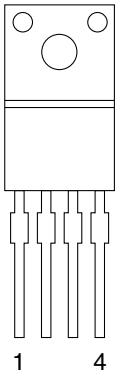


2SC2785 (H)
KTC3199 (GR)
KRA110M
KRC110M-AT
BA1L3Z-T
BA1L3Z (P)
KTC3205 (Y)

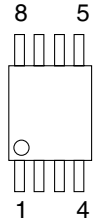


2SK3374

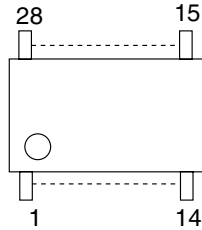
PQ018EF01SZ



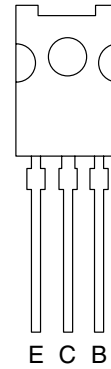
NJM4558D
KIA4558P
BH3544F-E2



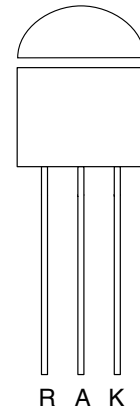
PT6315-S
PT6315-S(-TP)



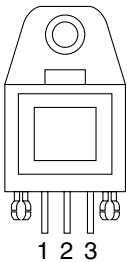
2SC3422



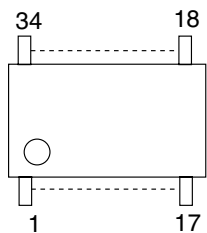
KIA431-AT
AN1431-(NSC)



OC-0805T-002
GP1FA512TZV



MM1567AJ



LTV-817B-F
LTV-817C-F



Note:
A: Anode
K: Cathode
E: Emitter
C: Collector
B: Base
R: Reference
1 VCC
2 GND
3 OUT

HITACHI